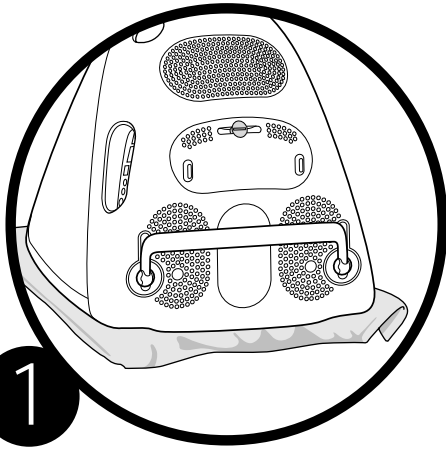


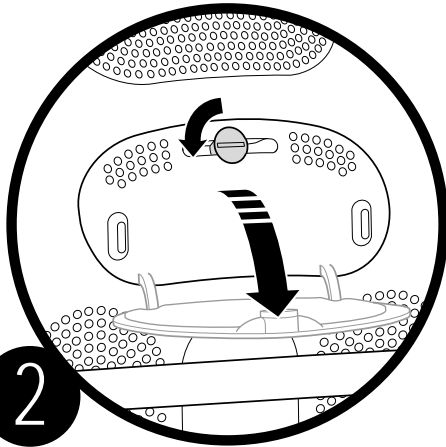
Installing the AirPort Card

Includes instructions for installing
the AirPort Card in an iMac computer

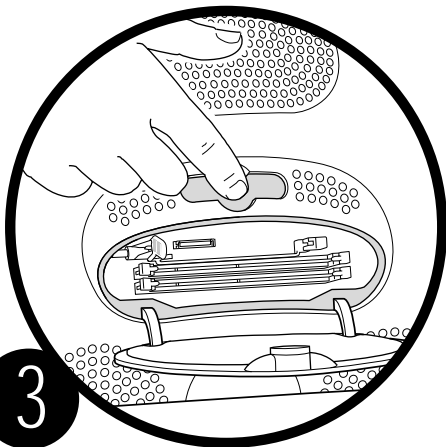


Before installing:

- shut down the computer
- unplug all cables, except the power cord
- place the computer face down on a soft cloth

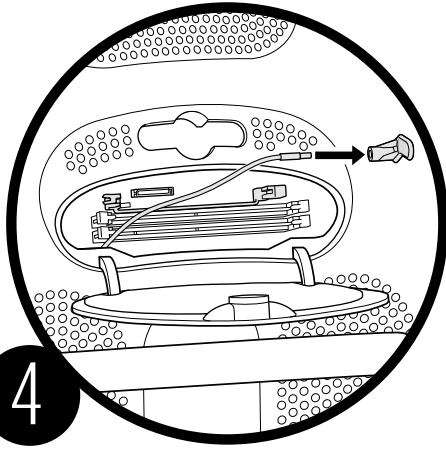


Unlock the access door using a coin, then open the door.



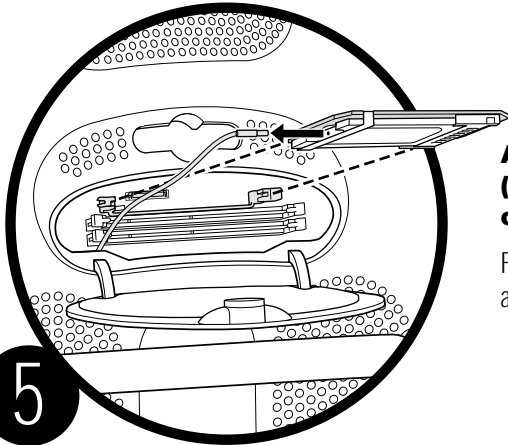
Touch the metal shield inside the recessed latch area to discharge static electricity. Then unplug the power cord from the computer.

Don't walk around the room until you've finished installing the AirPort Card.



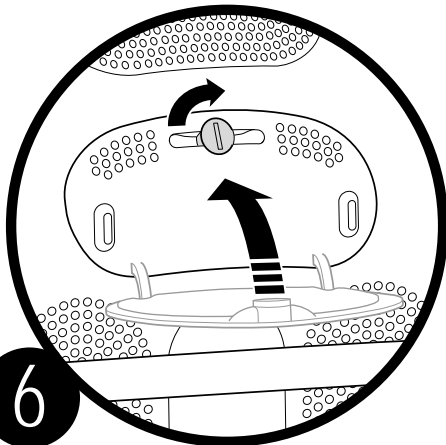
Detach the antenna from the left rail guide on the upper AirPort Card slot and remove the protective cap. Then connect the antenna to the AirPort Card.

Do not remove the AirPort Card from the iMac AirPort Card adapter.



Align the edges of the AirPort Card adapter (which holds the AirPort Card) with the guides on the slot and insert it sideways into the slot.

For instructions on using the AirPort software, look in Mac Help, available in the Help menu.



Close the access door and use a coin to lock it. Reconnect all cables and cords, then press the Power button on the computer.

Never turn your computer on unless all of its internal and extra parts are in place.

