



Tech Info Library

PowerBook 200 Series: Logic Board Connectors Diagram (2/96)

Article Created: 25 October 1995

Article Reviewed/Updated: 23 February 1996

* RESTRICTED: Apple Internal and Support Providers Only *
Not For General Public Release

TOPIC -----

How can I tell which wires are for which connectors on a PowerBook 200 series logic board? This information does not appear to be on the Service Source CD.

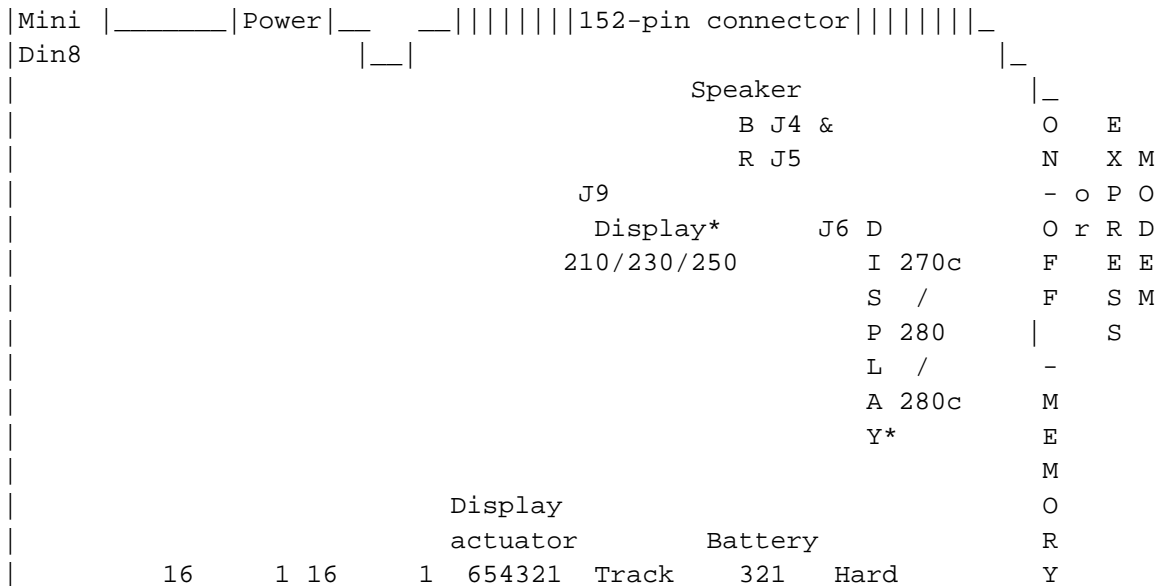
DISCUSSION -----

The following graphic diagram shows the connectors that reside on the Macintosh PowerBook 200 series (Duo 210/230/250/270c/280/280c) computers logic boards.

This chart also shows the color of the wires and their associated pins which are found on the PowerBook Duo computer's speaker, display actuator, and backup lithium batteries. The wire colors are noted here because it is possible for the wires to easily break away from the fragile connectors and not always easy to identify.

Begin_Graphic

REAR SIDE OF LOGIC BOARD



	Keyboard	Keyboard	BR	ball*	BWR	Drive*	
BATTERY	J11	J12	J13	J14	J16	J15	—
CONTACTS	_____		_____				

FRONT SIDE OF LOGIC BOARD

Legend:

- Jx -Connector connector number on PCB
- 16 1 -Shows pins number assignment
- B -Black wire
- W -White wire
- R -Red wire
- * -Keyed connector

End_Graphic

Note: See separate article for PowerBook 2300 series computer connections.

Article Change History:

23 Feb 1996 - Added reference to 2300 article.
 Copyright 1995-96, Apple Computer, Inc.

Keywords: supt,kpbook

=====

This information is from the Apple Technical Information Library.

19960226 16:03:23.00

Tech Info Library Article Number: 18817