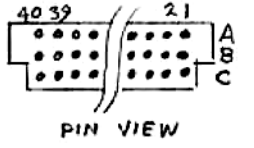
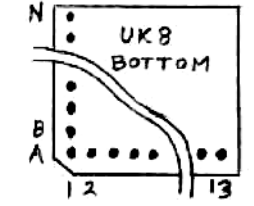
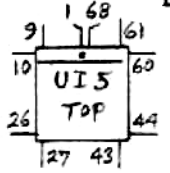
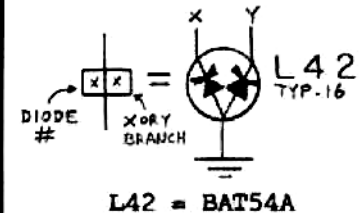
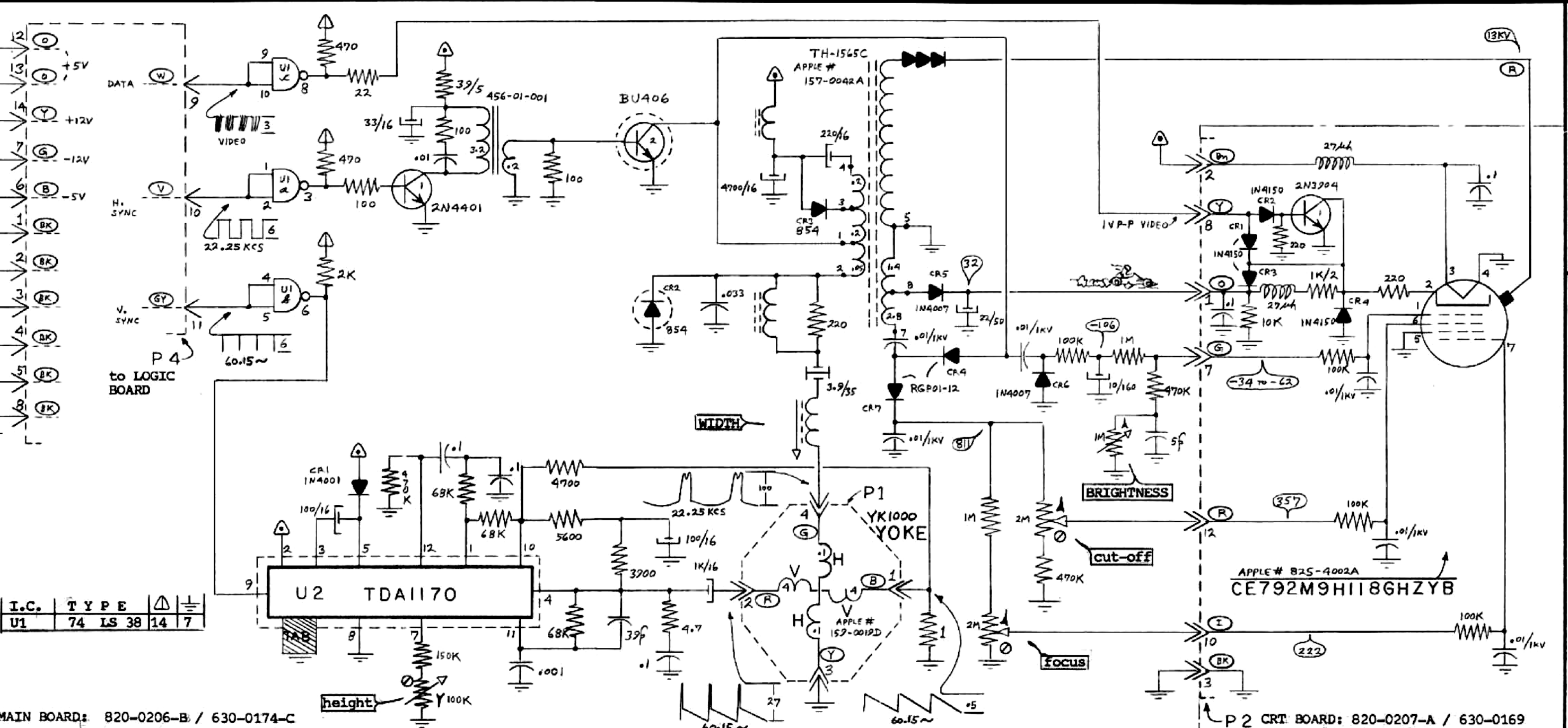
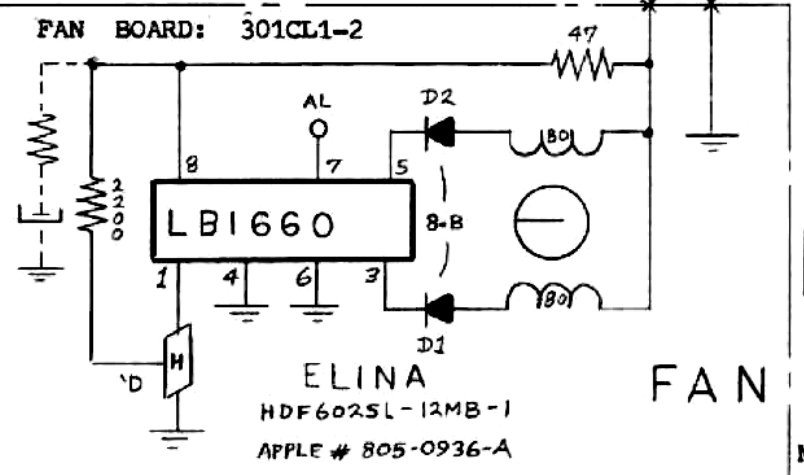
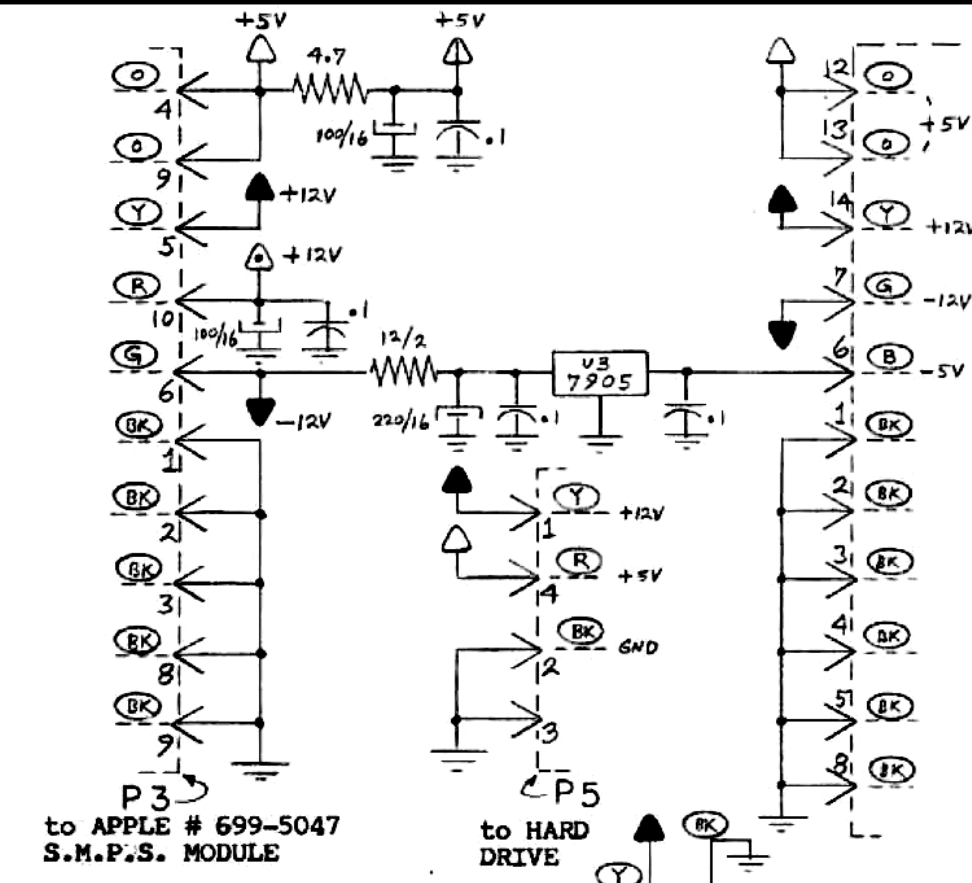
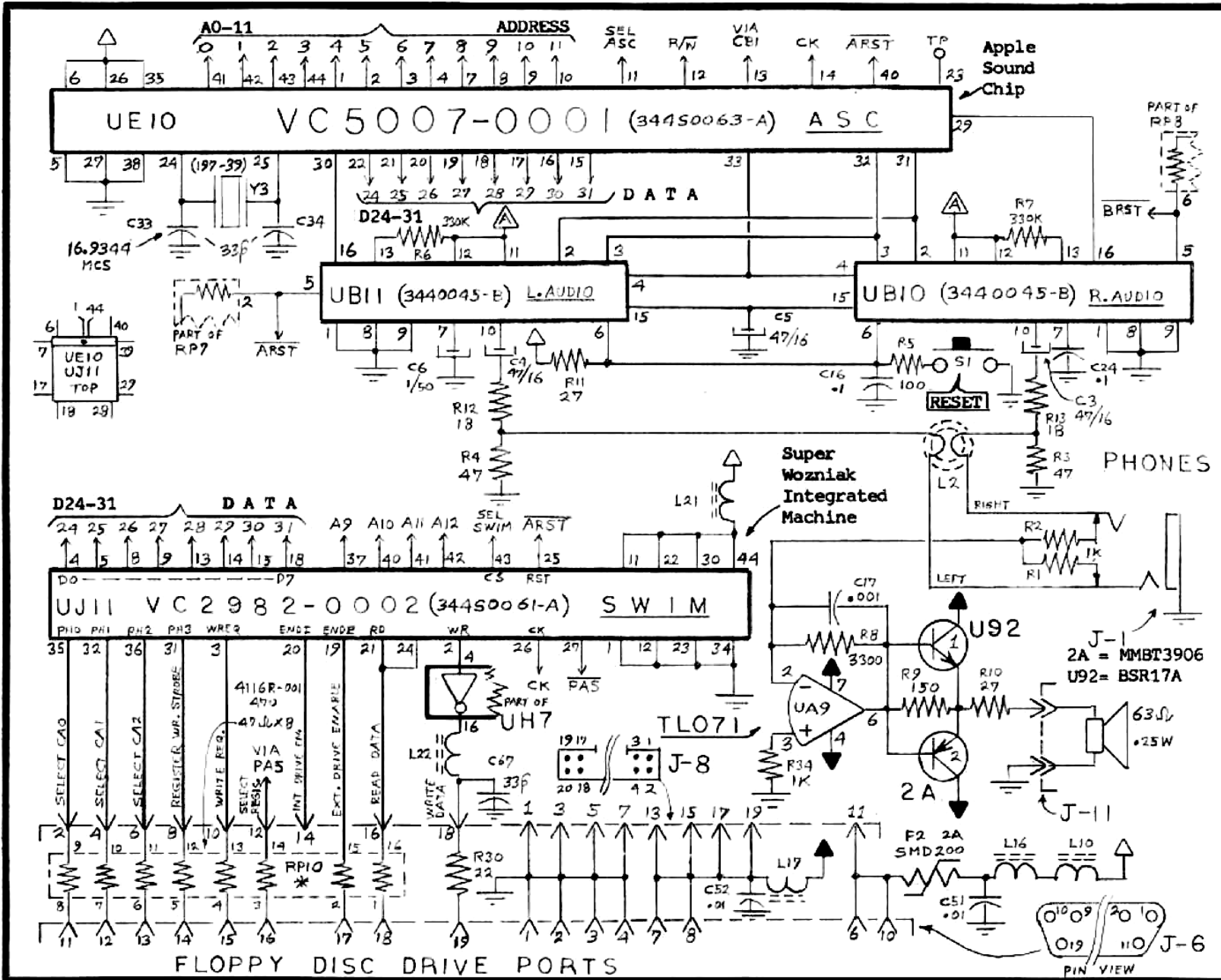


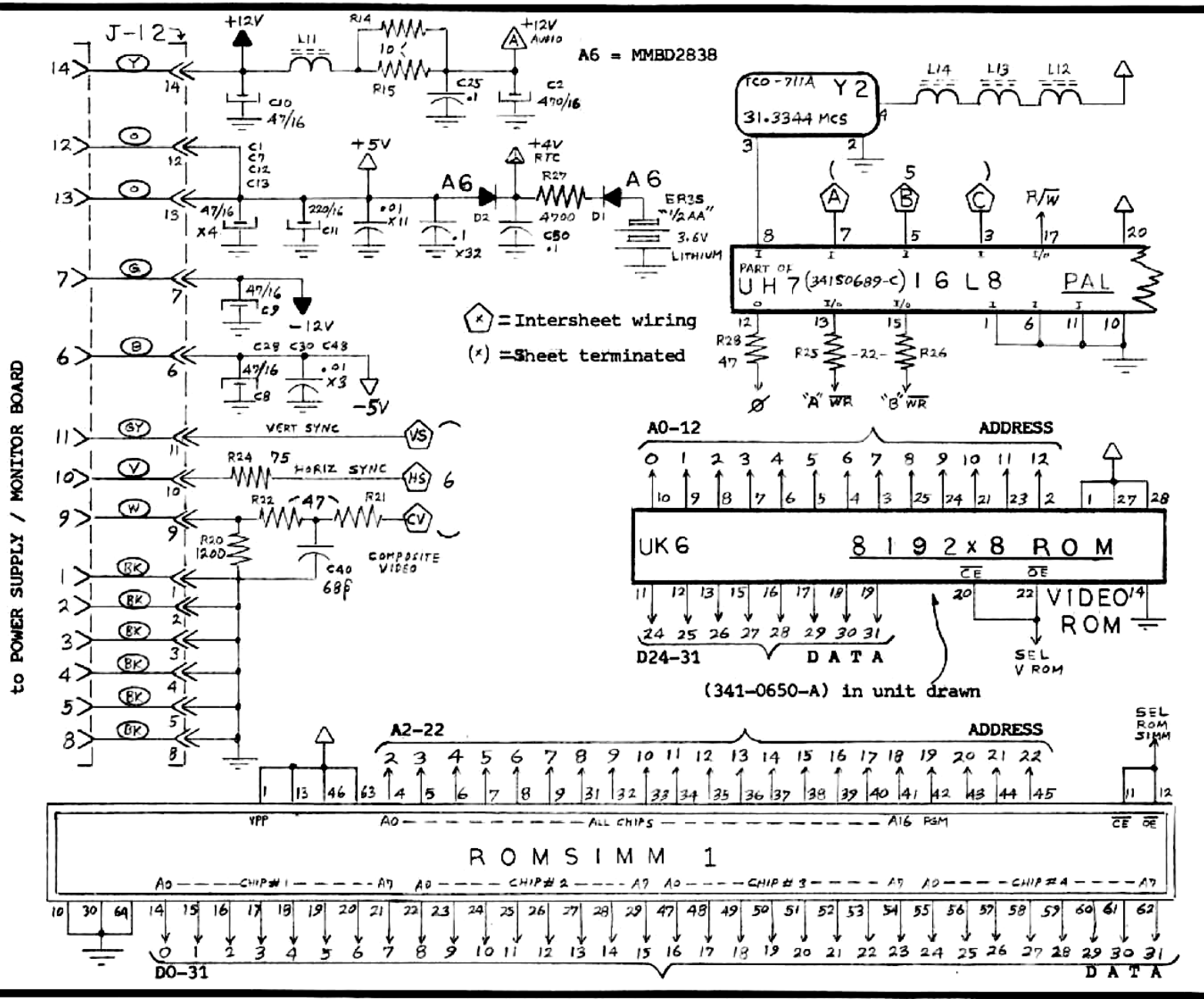
RP7, RP8 =  
4816P-002-201 =  
200 ohm x 15

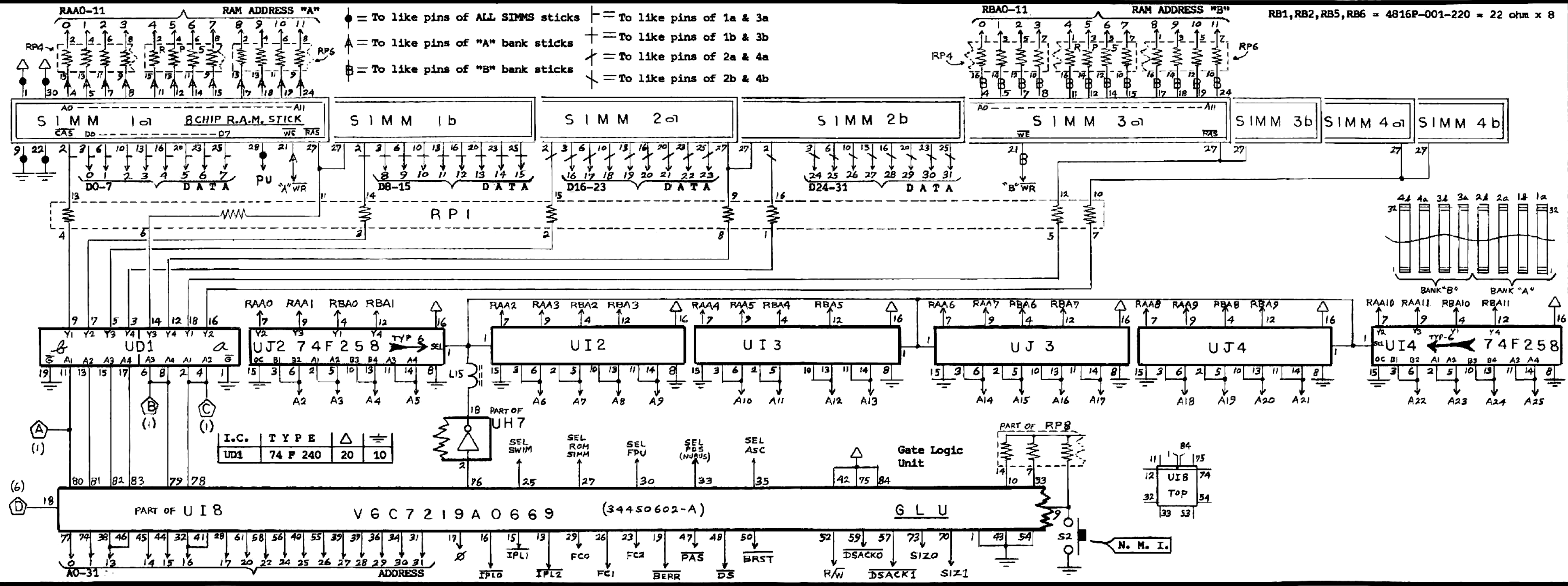


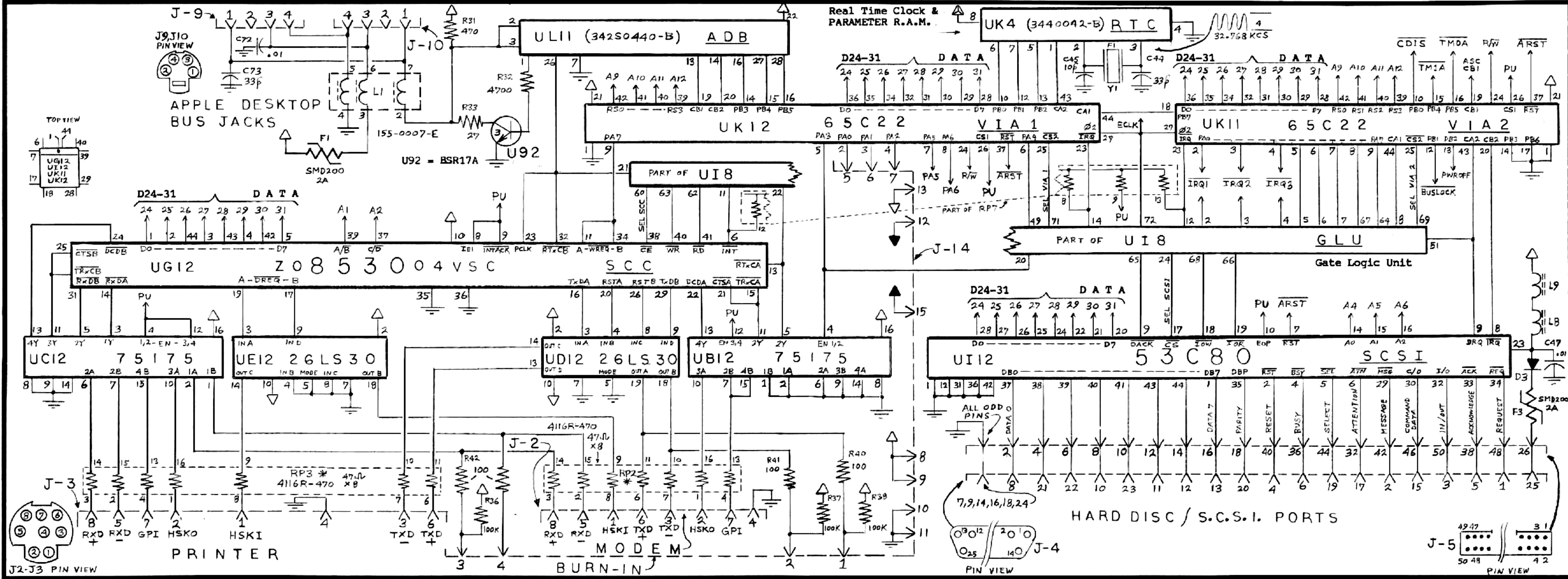


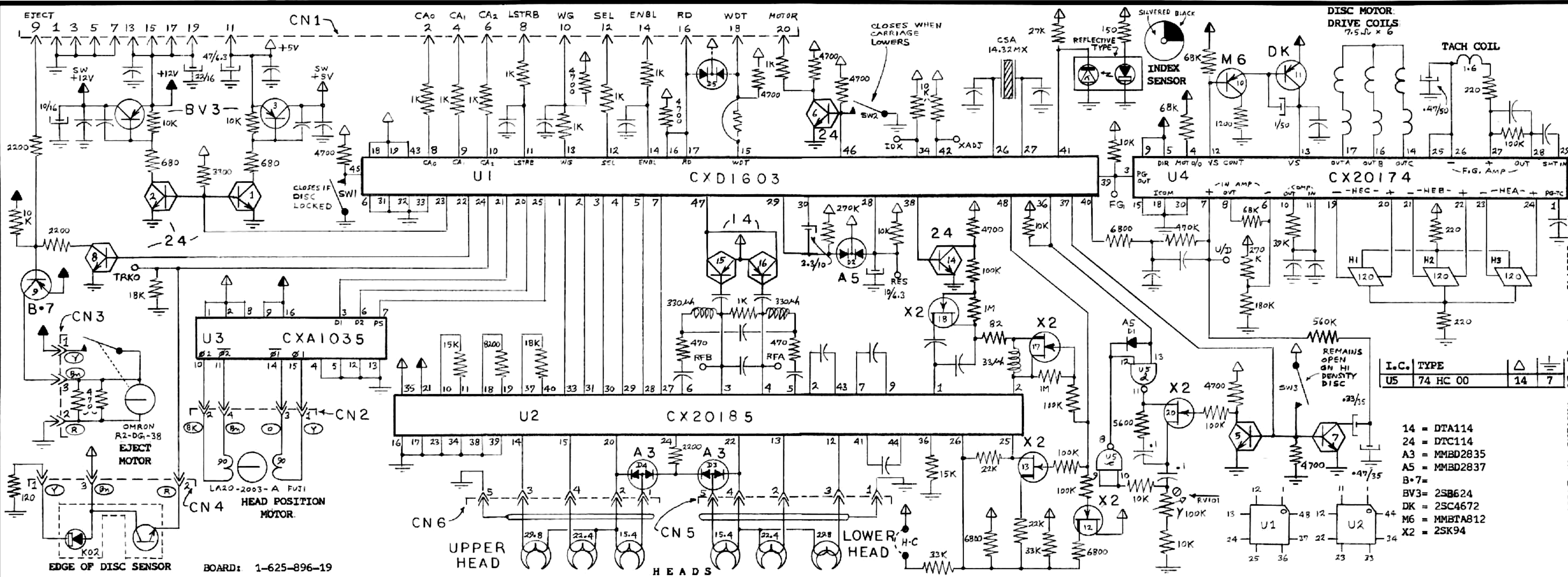
I.C.	TYPE	Pin 1	Pin 2
U1	74 LS 38	14	7











BOARD: 1-625-896-19

I.C.	TYPE	Symbol	Value
U5	74 HC 00		14 7

- 14 = DTA114
- 24 = DTC114
- A3 = MMBD2835
- A5 = MMBD2837
- B•7 =
- BV3 = 2SB624
- DK = 2SC4672
- M6 = MMBTA812
- X2 = 2SK94

used in APPLE "Macintosh": SE, II series, CLASSIC series



I.C.	TYPE	$\Delta$	$\perp$
UJ6	74 LS 30	14	7
UF8, UG8	74 LS 393	14	7

To like pins of both R.A.M. chips

