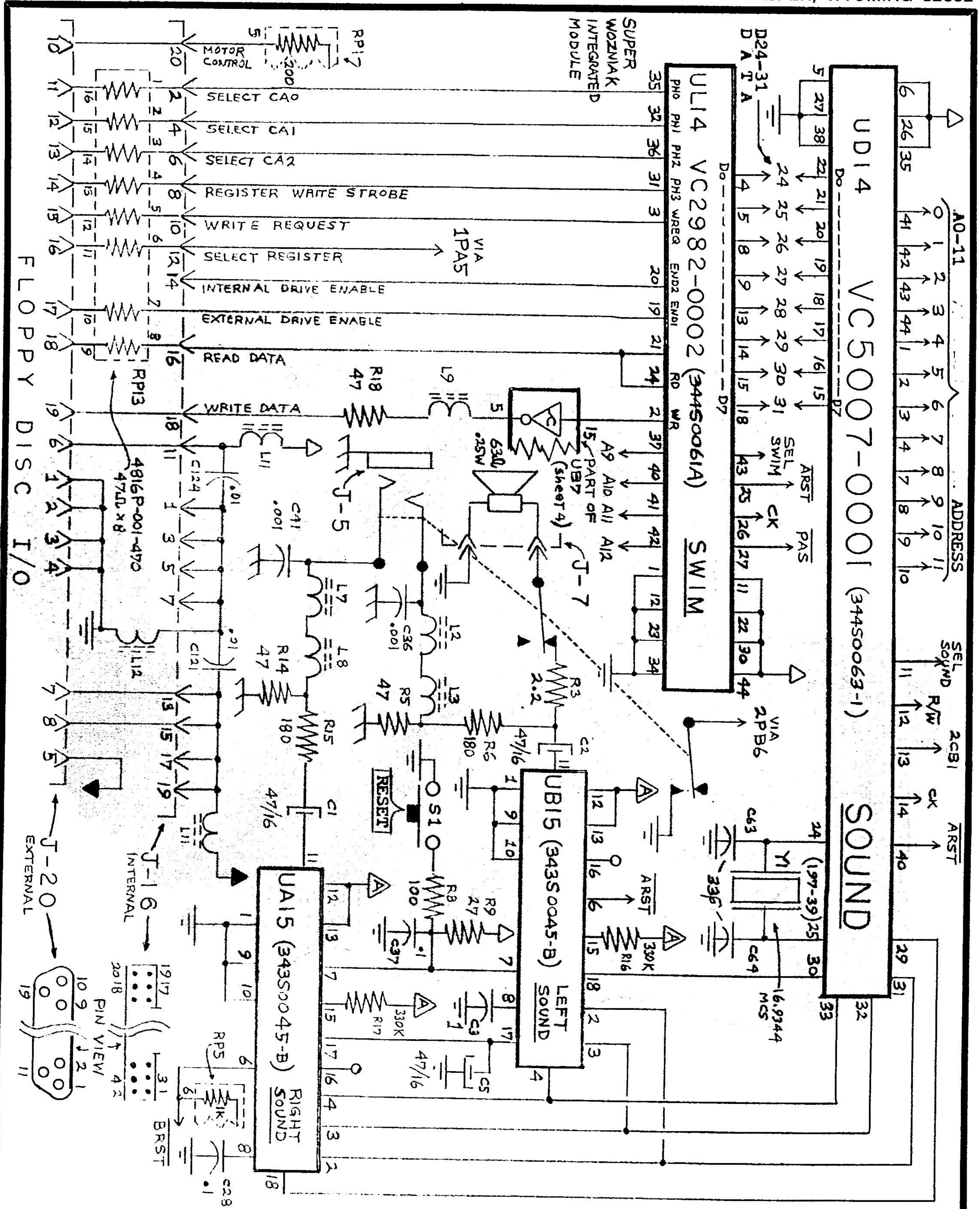
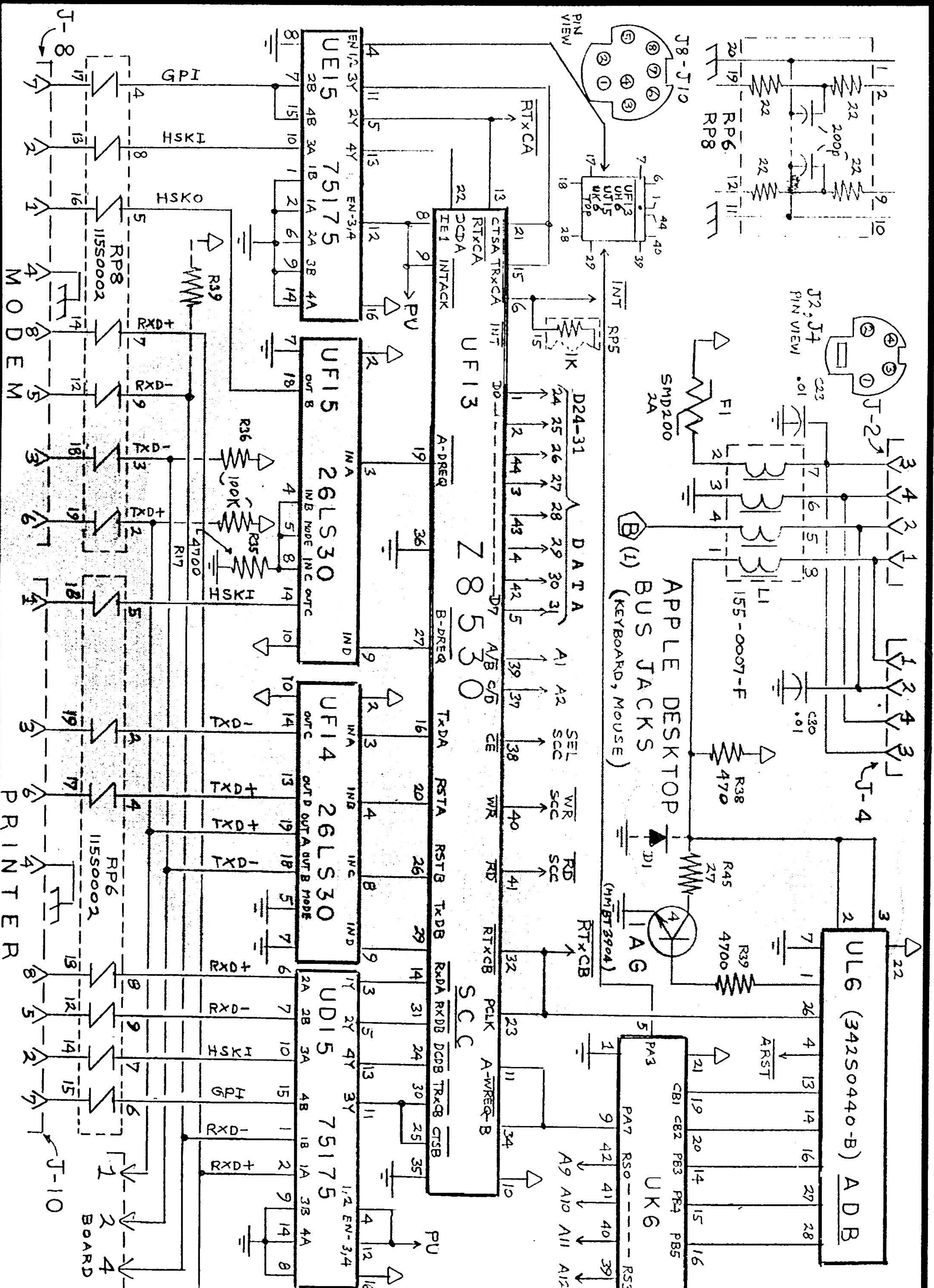
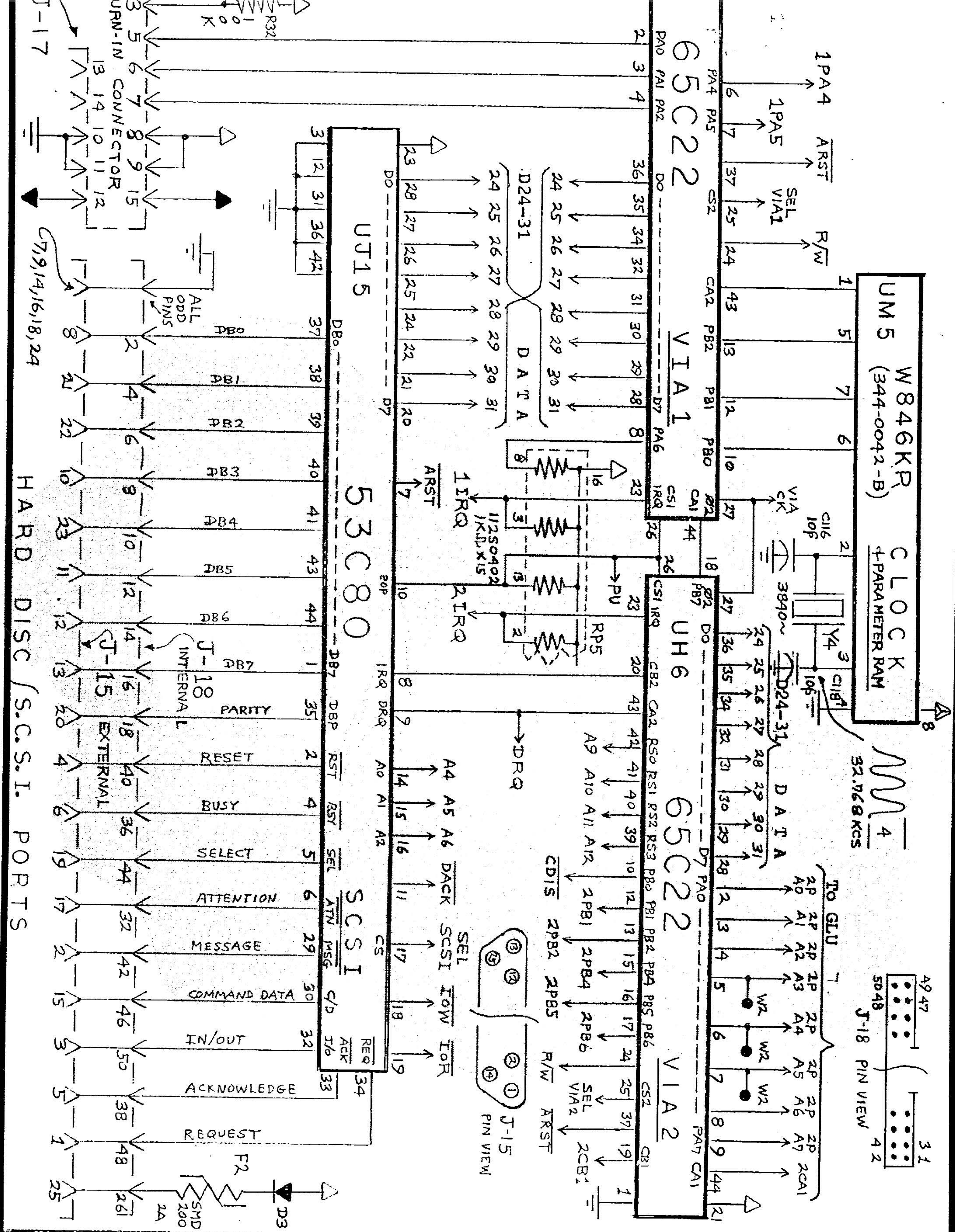


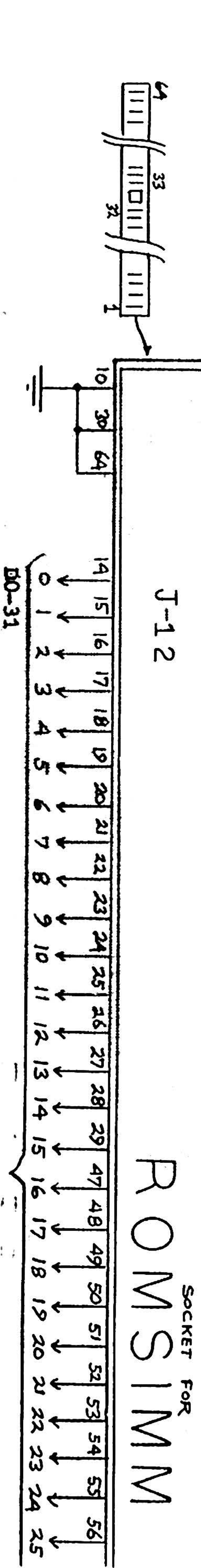
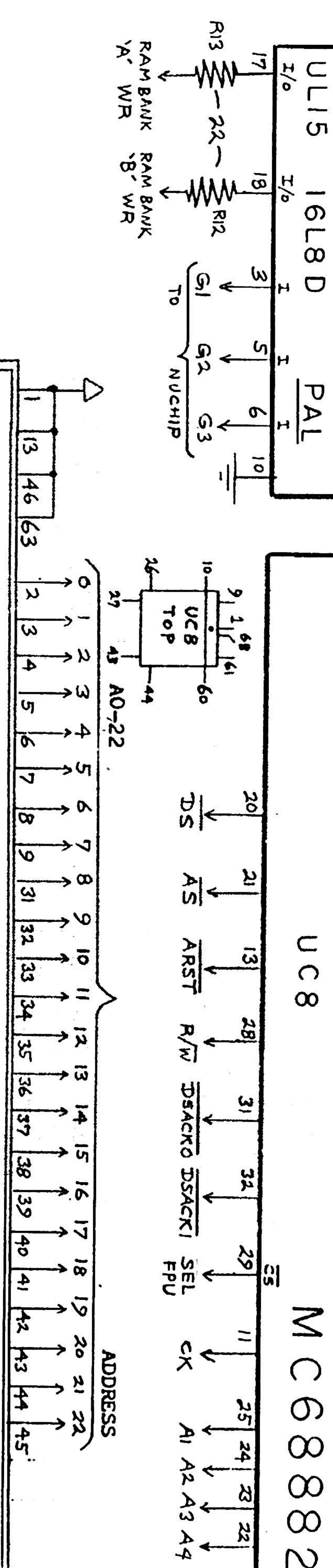
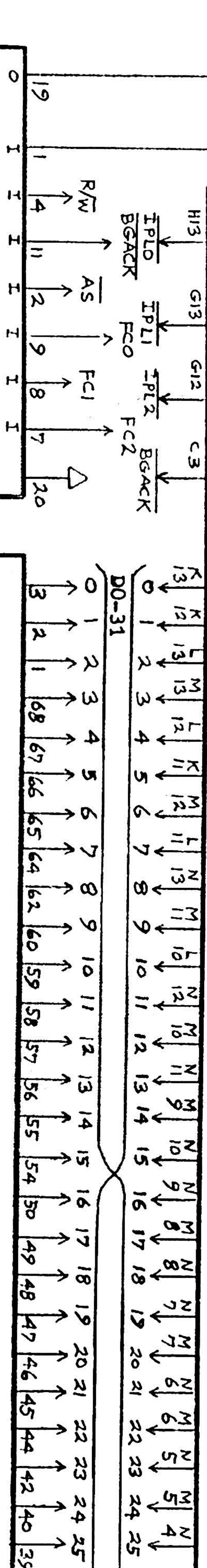
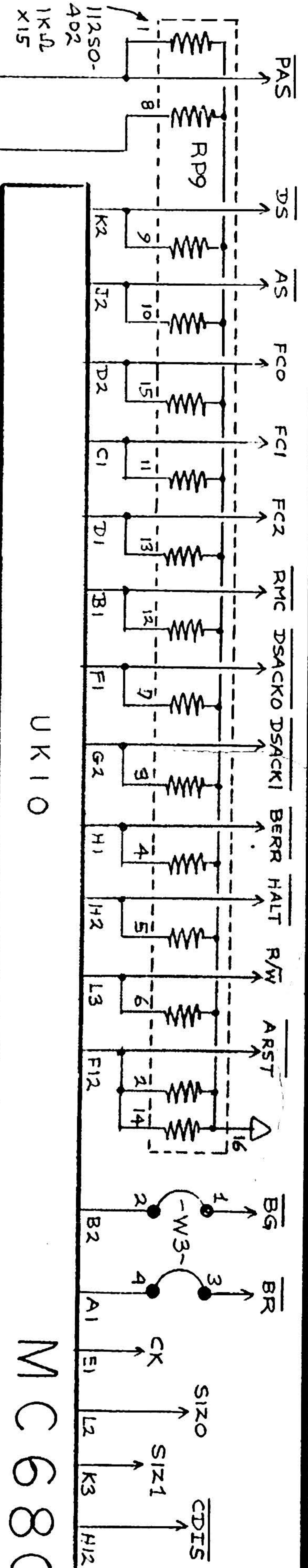
TO ASTEC OR SONY
699-0392 S.M.P.S.
1A6 = MMBT3904
2A6 = MMBT3906
F24 = MMBD914

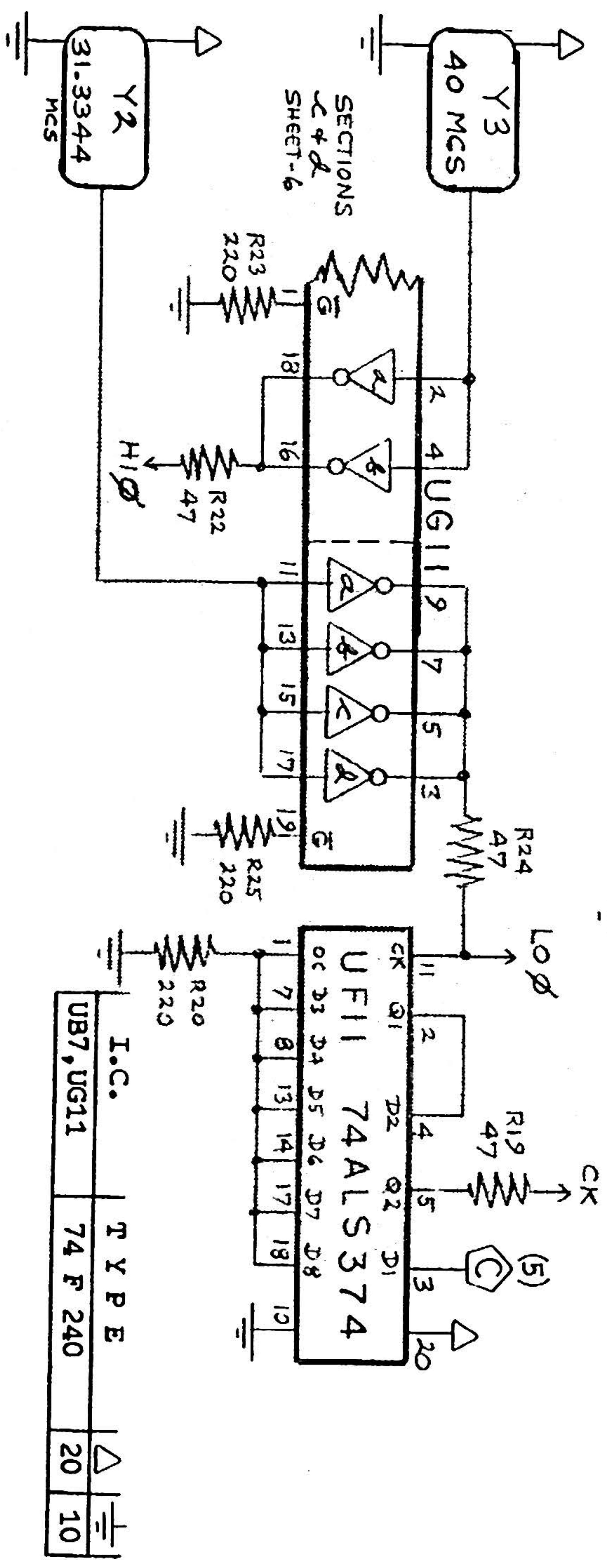
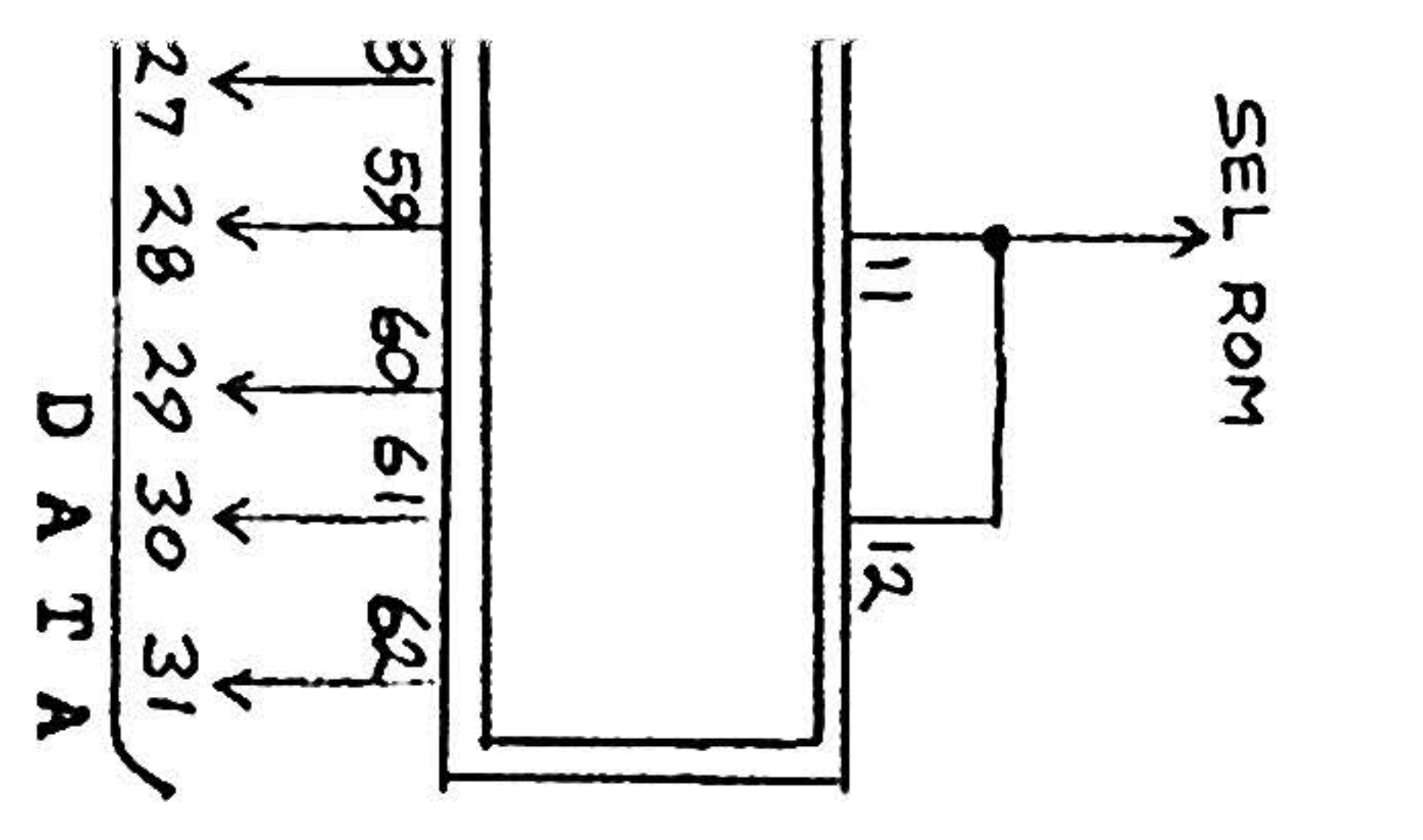
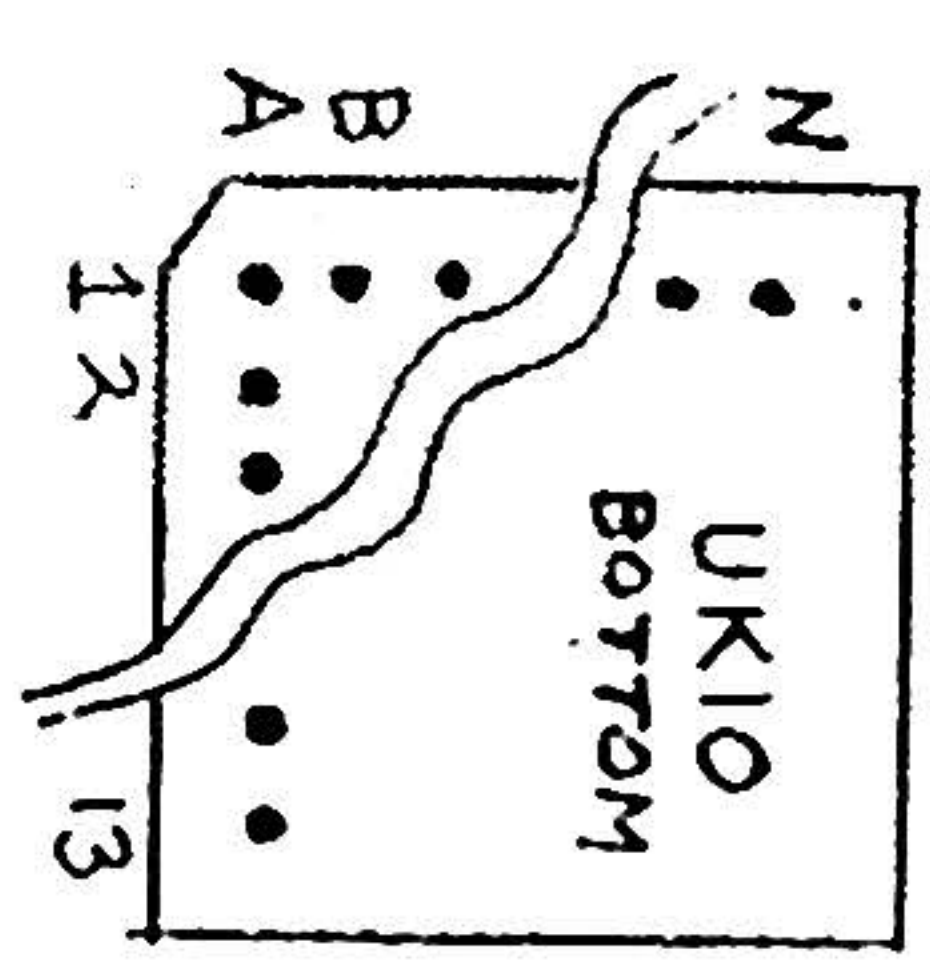
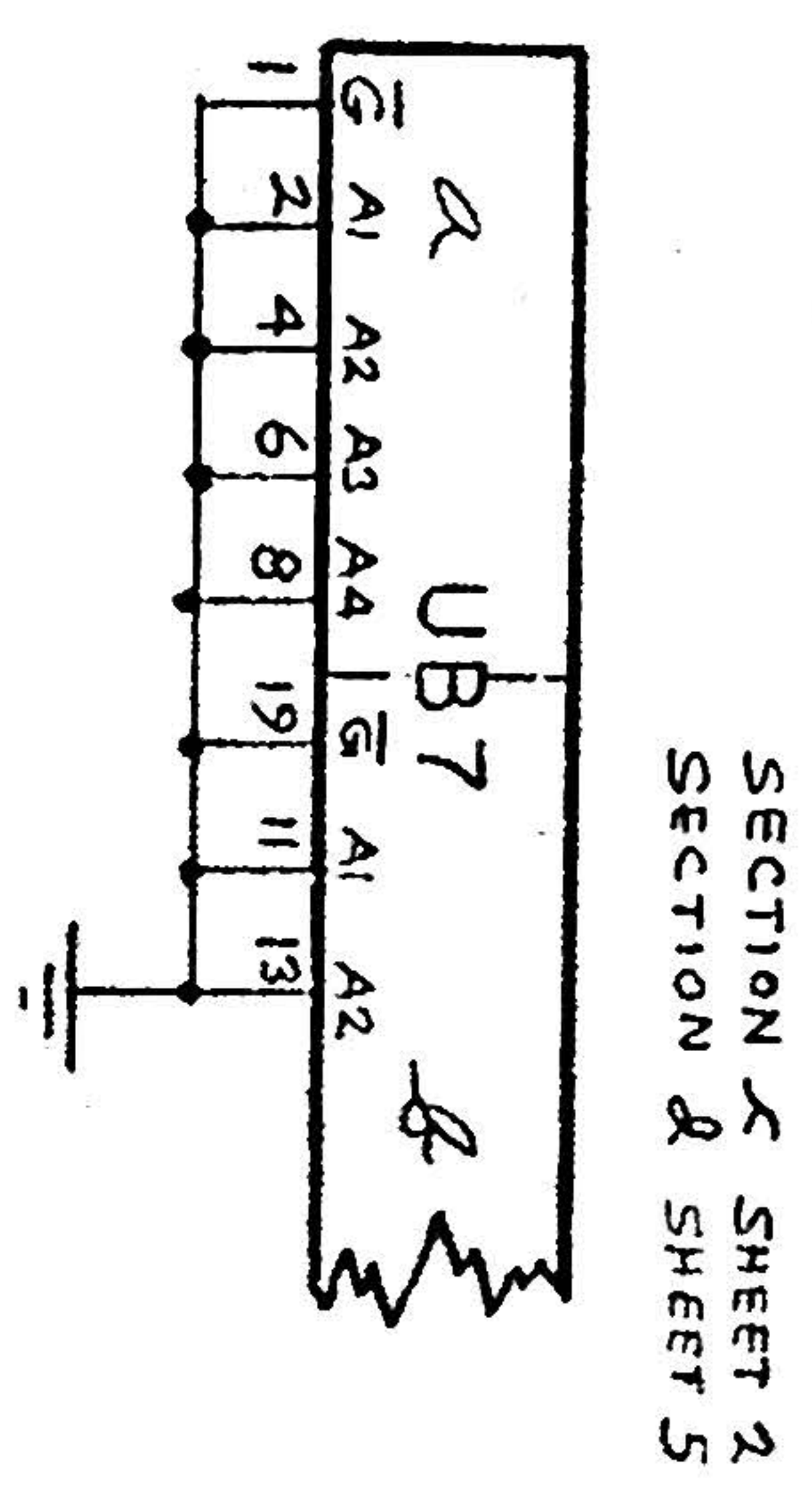
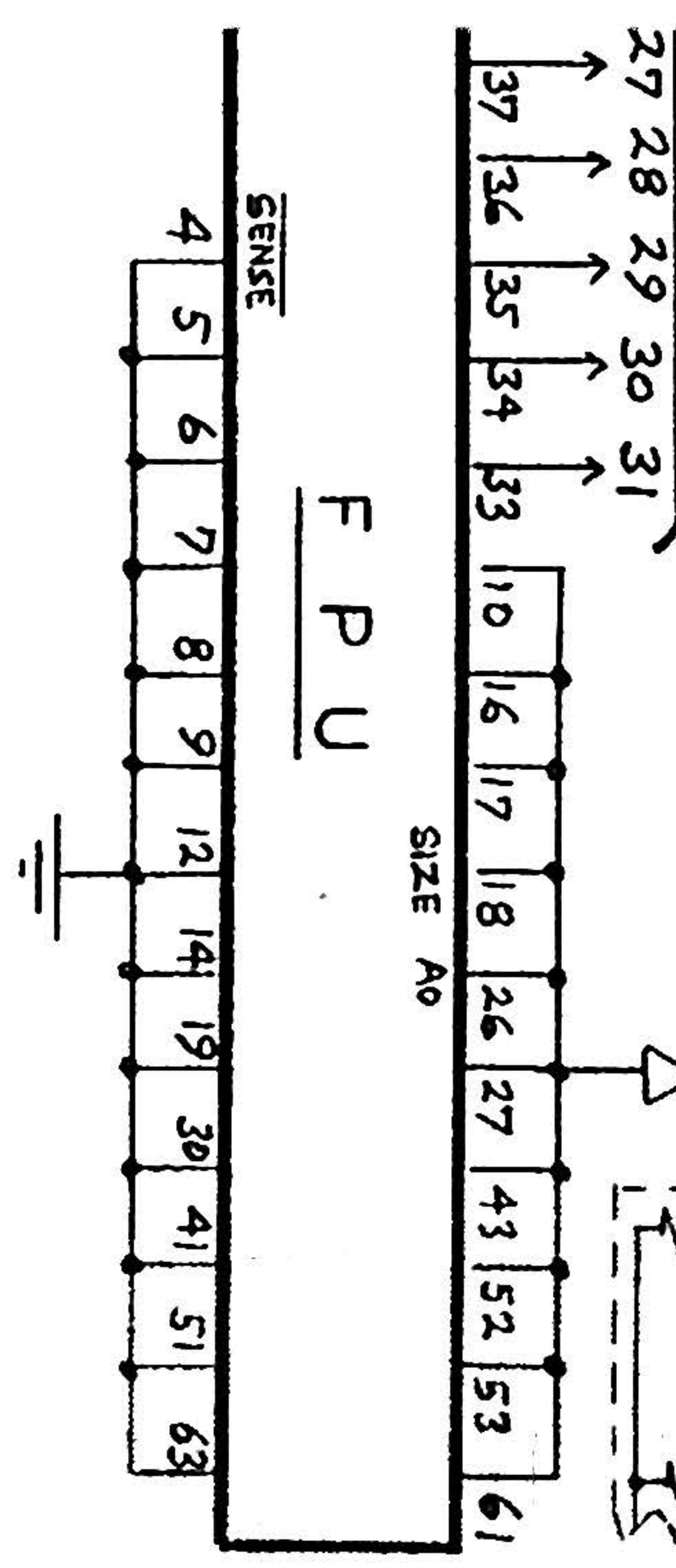
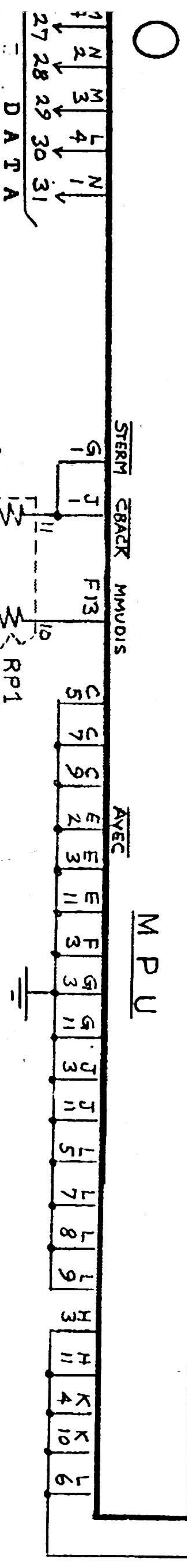
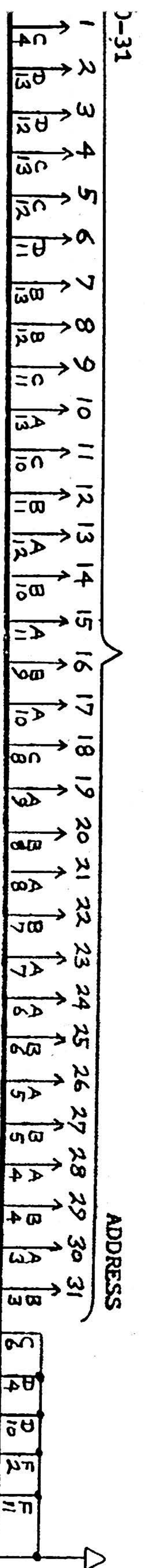
I.C.	T Y P E	Q	Q	Q
UL2	74 HC 74	14	14	7
UK2	74 HC 132	14	14	7
UM2				7



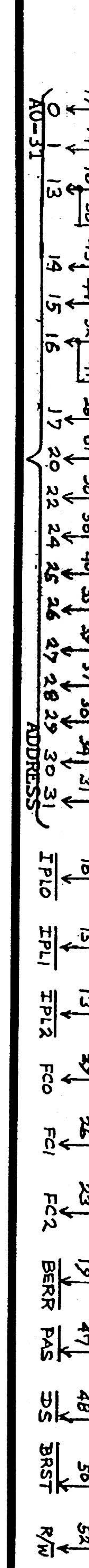
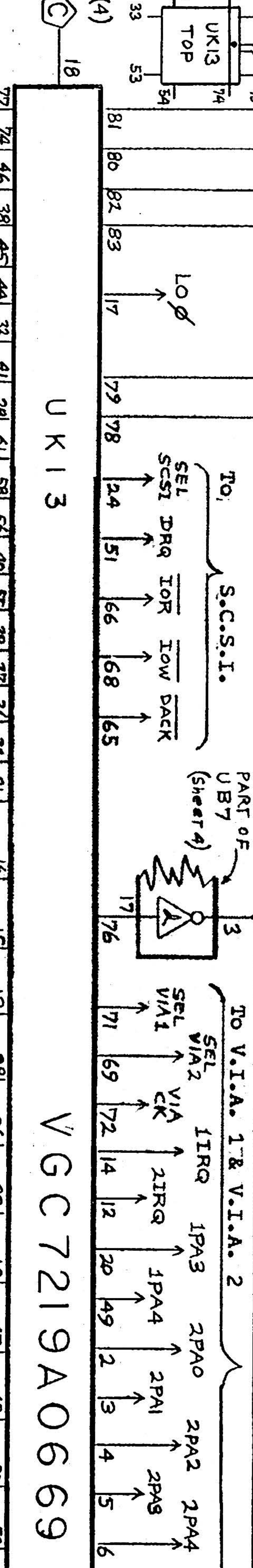
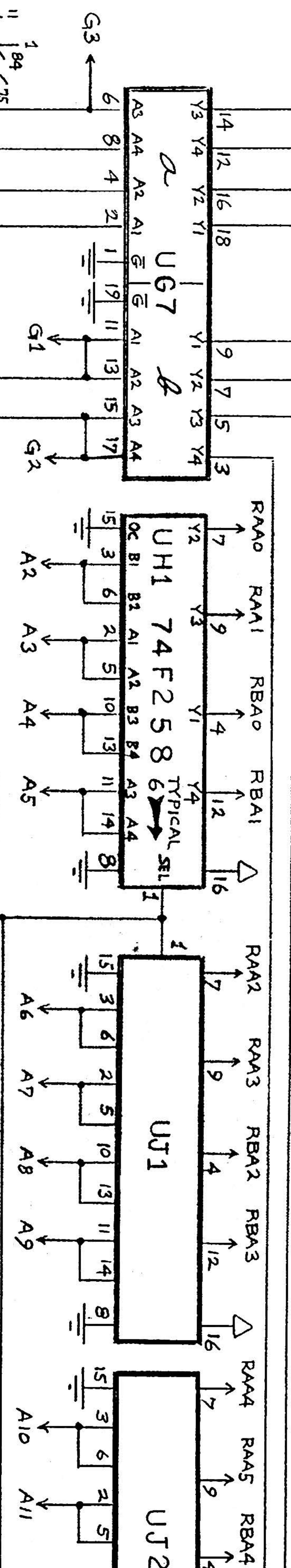
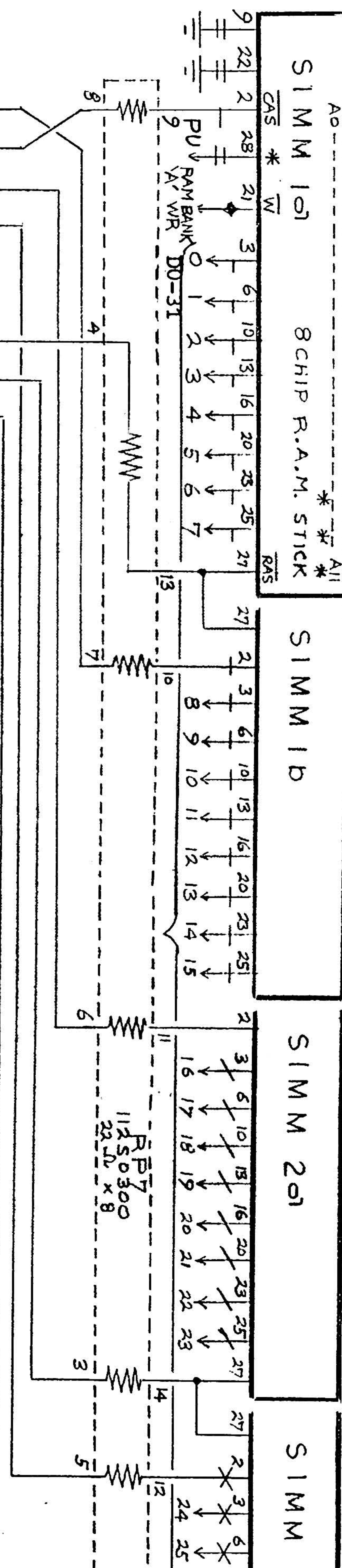
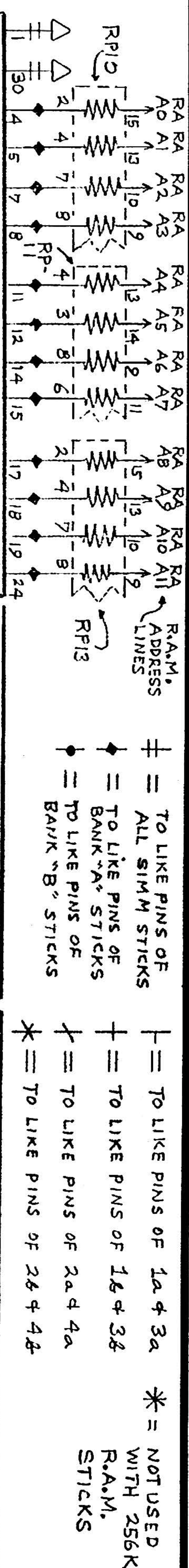




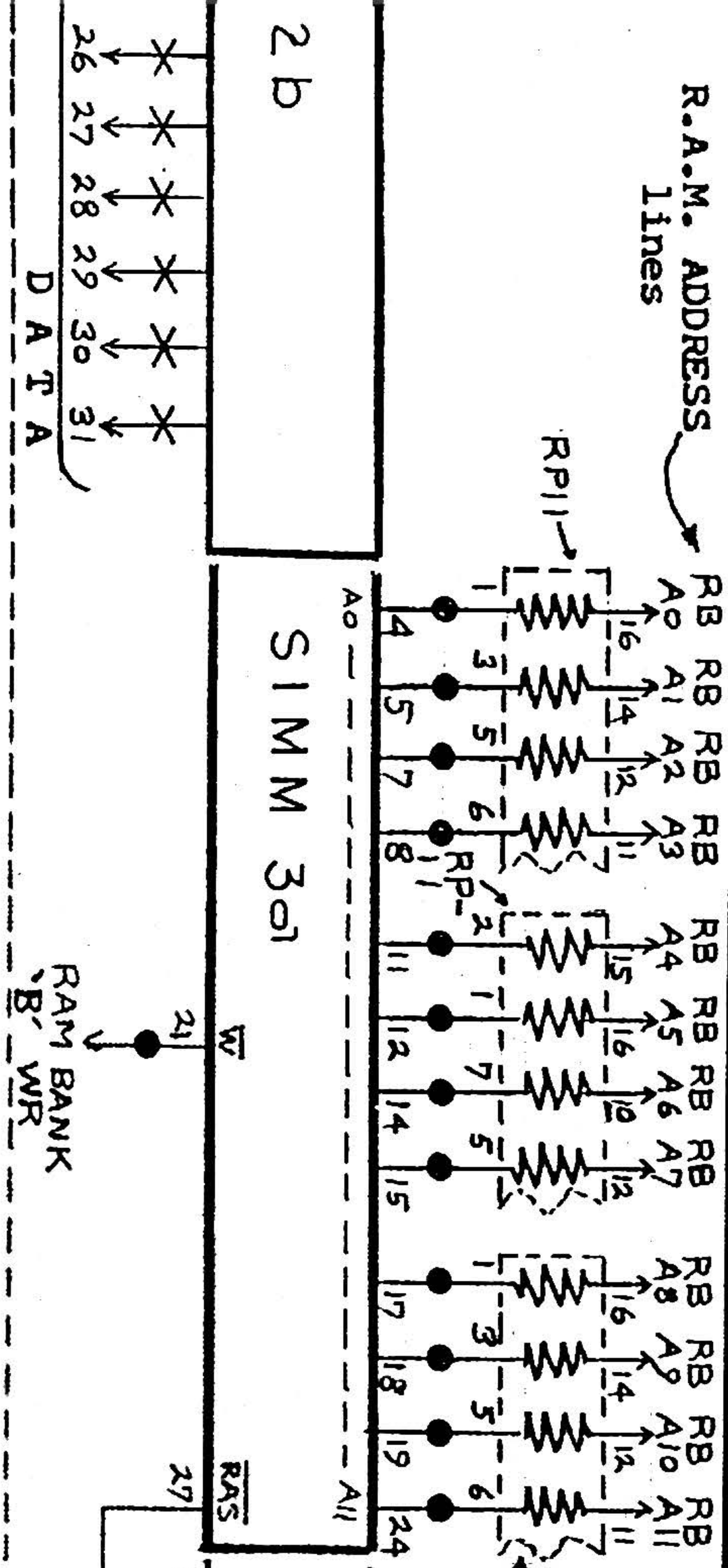




I.C.	TYPE	QTY
UB7, UG11	74 F 240	20
		10

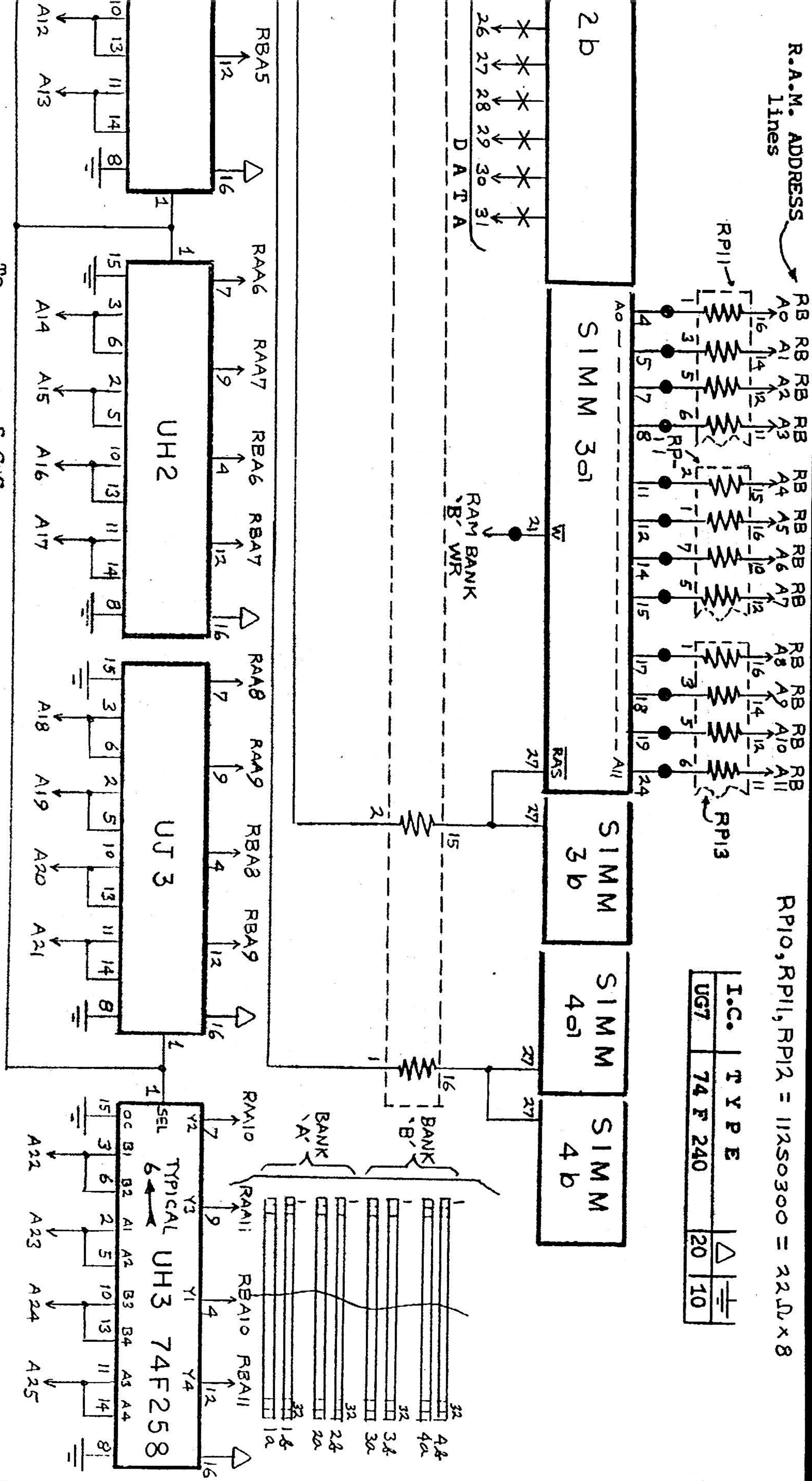


R.A.M. ADDRESS Lines

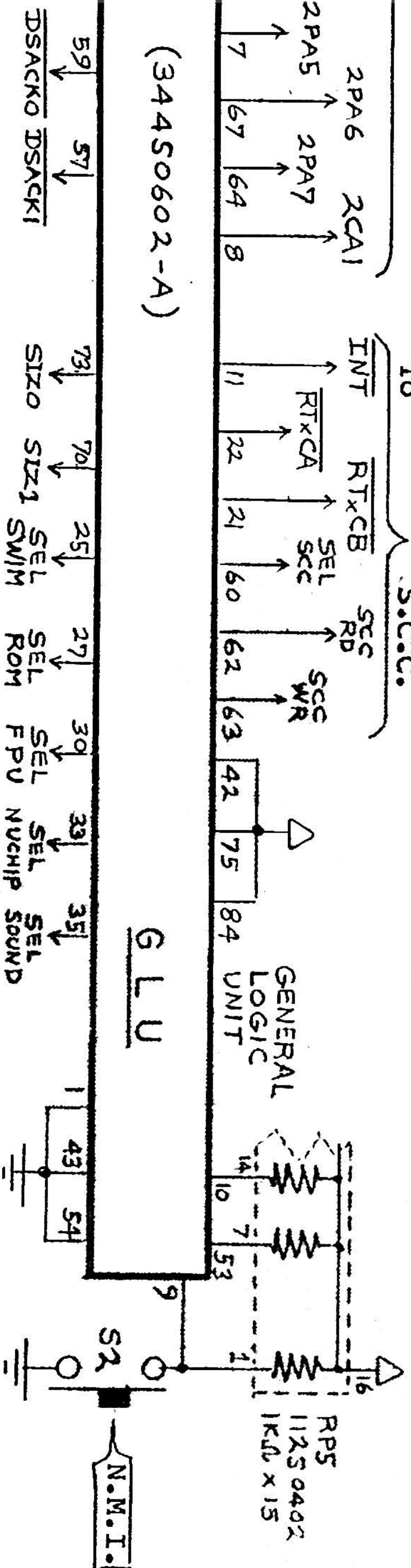


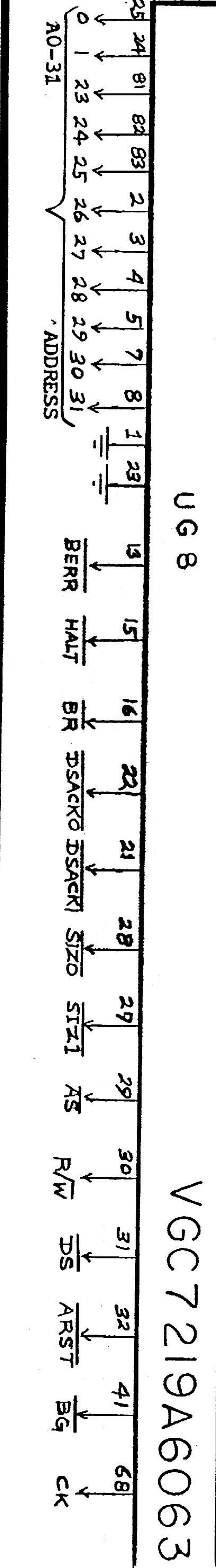
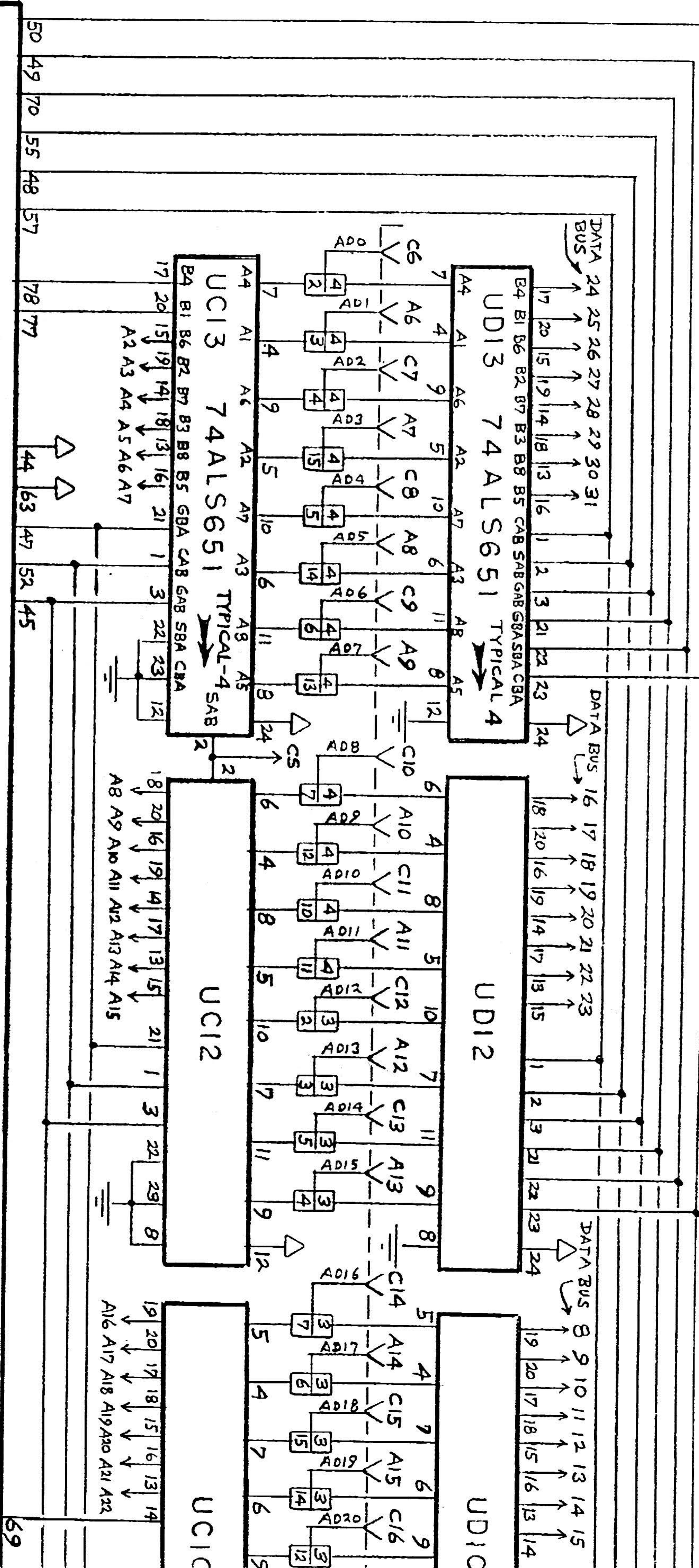
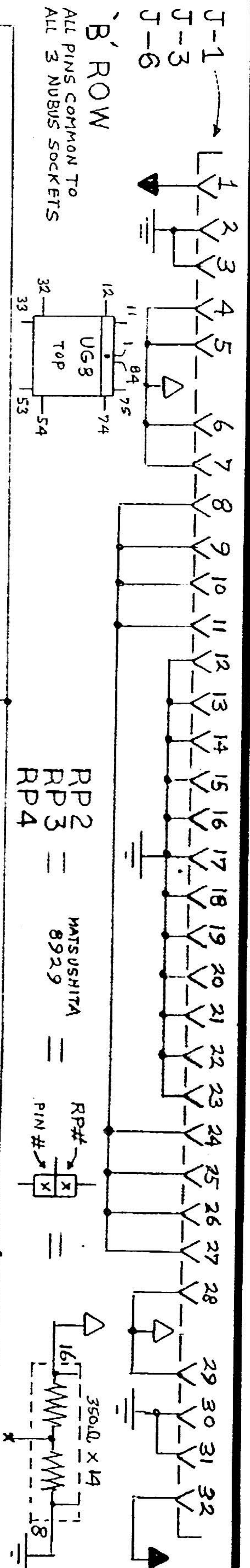
RP10, RP11, RP12 = 11250300 = 22Ω x 8

I.C.	TYPE	Δ	⊖
UG7	74F 240	20	10

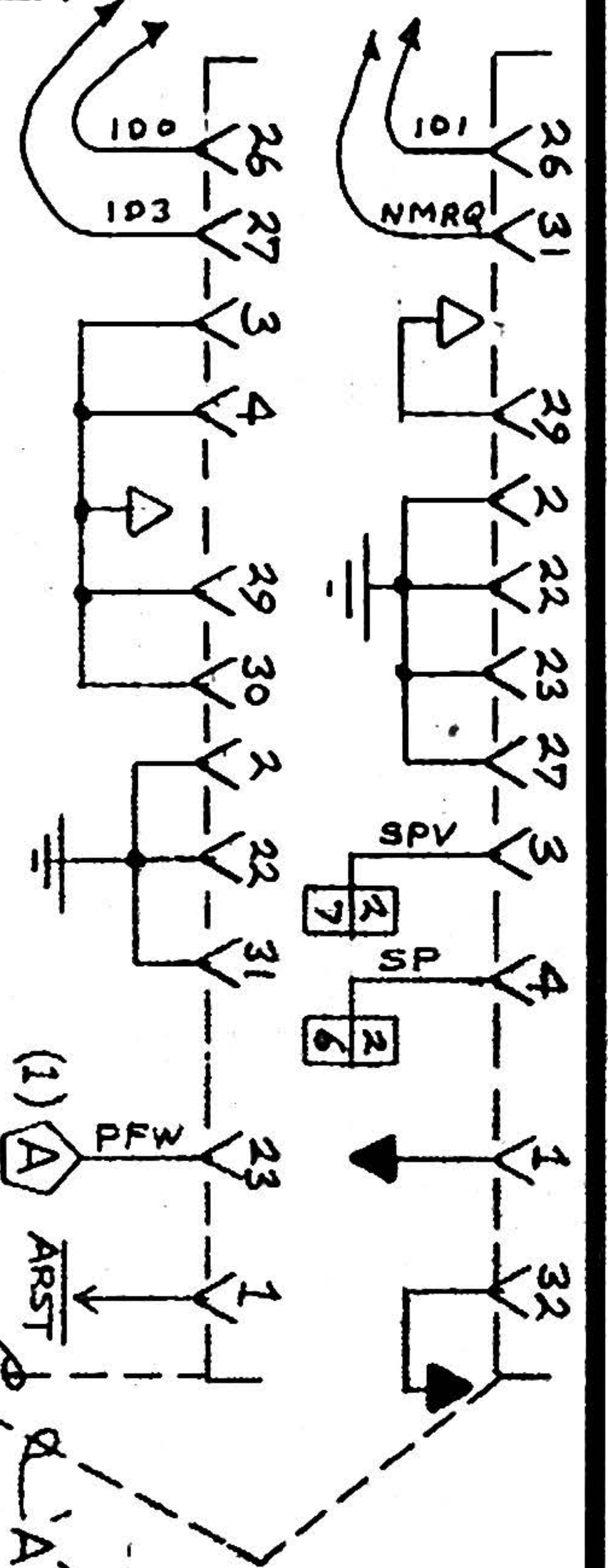


(34450602-A)



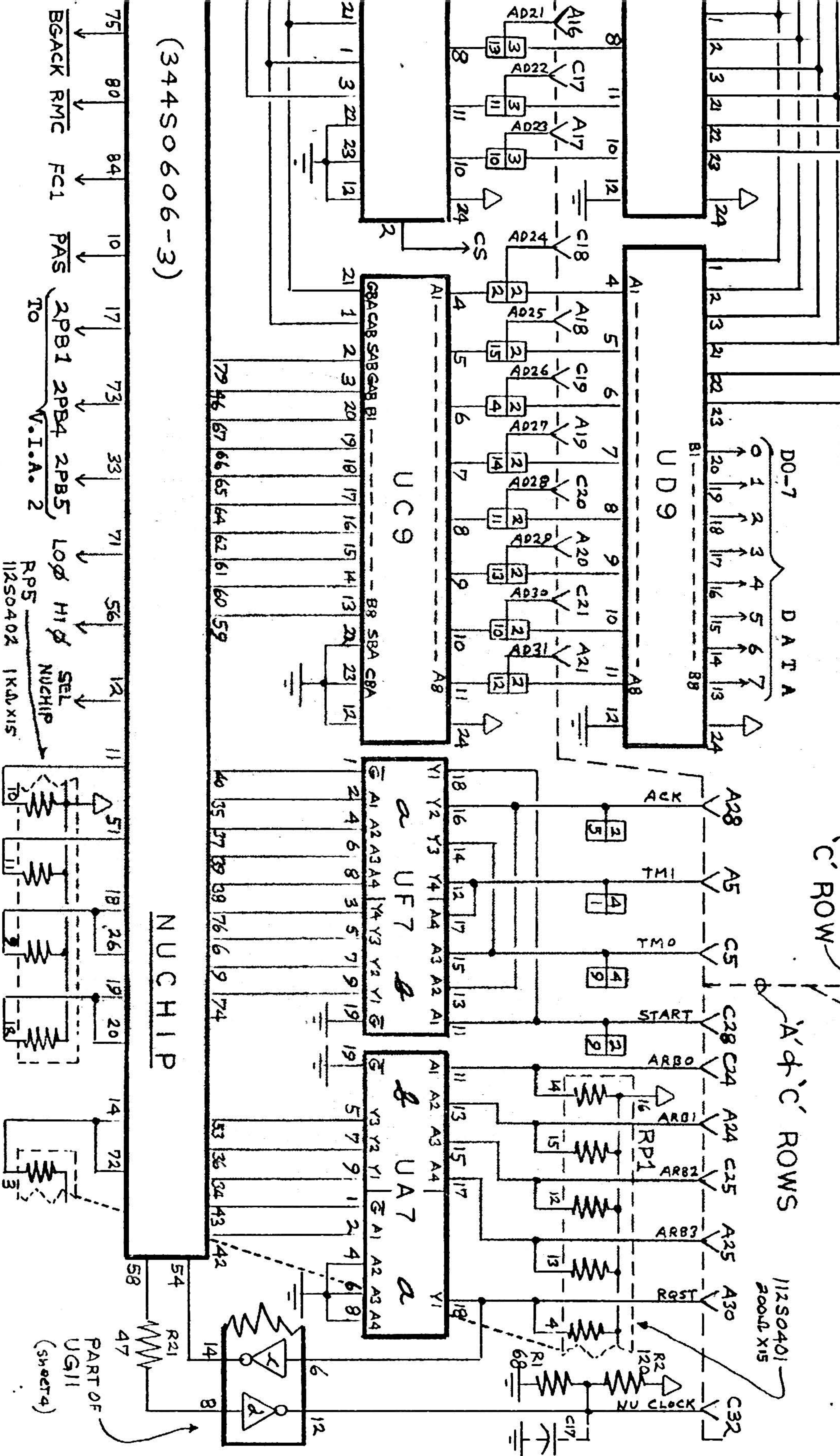


PIN →	Socket	Socket	Socket	Socket
A26	A31	C26	C27	
J1	J3	J6		
OPEN	GROUND	GROUND	OPEN	OPEN
GROUND	2PA1	GROUND	OPEN	OPEN
GROUND	2PA2	GROUND	OPEN	OPEN

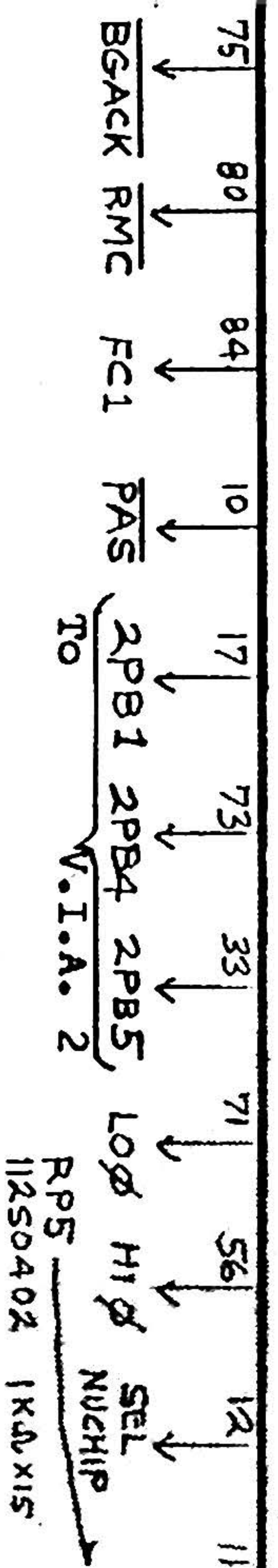


SOCKETS	J1, J3, J6 (PIN VIEW)
31 0 0 0 0 0	Row A
32 0 0 0 0 0	Row B
33 0 0 0 0 0	Row C
34 0 0 0 0 0	Row C

I.C.	TYPE	VALUE
U17, U18	74 F 240	20
		10



(344S0606-3)



NUCHIP

