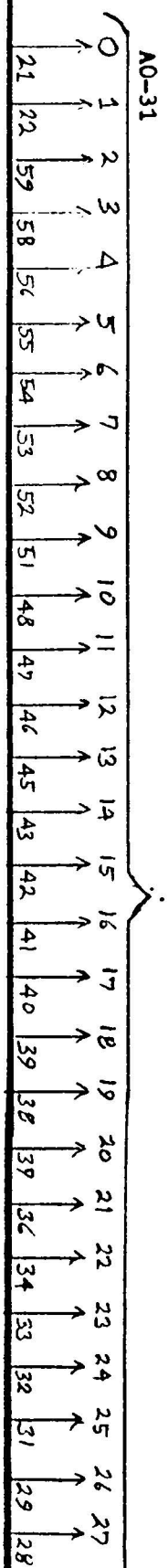
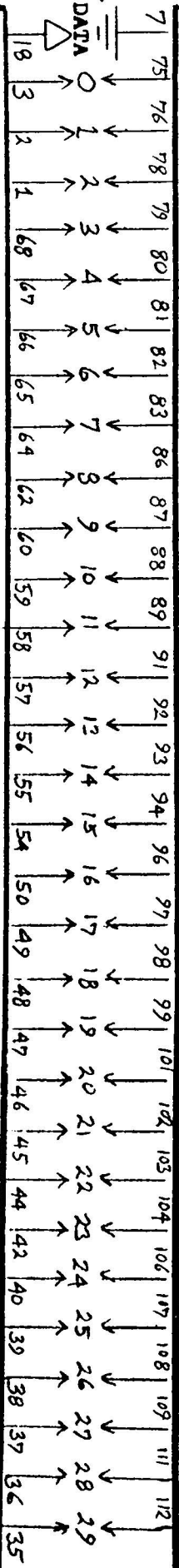


sheet 1 of 8

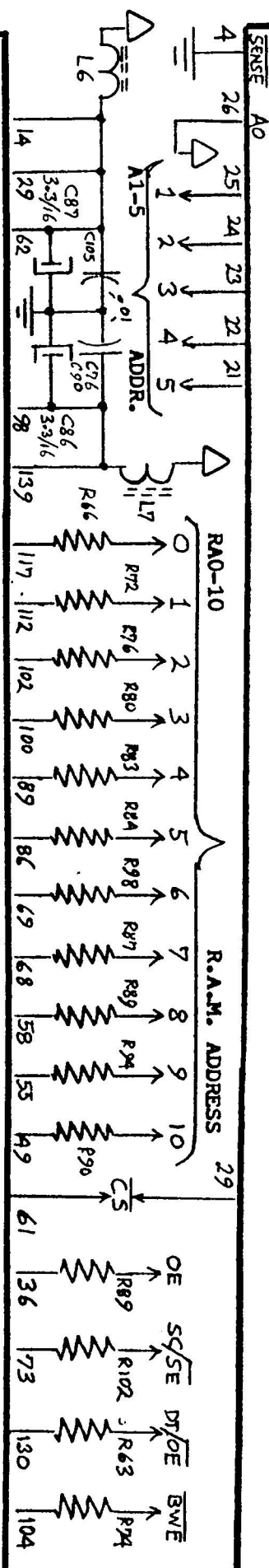
Unit drawn provided courtesy of "MACCAPS"



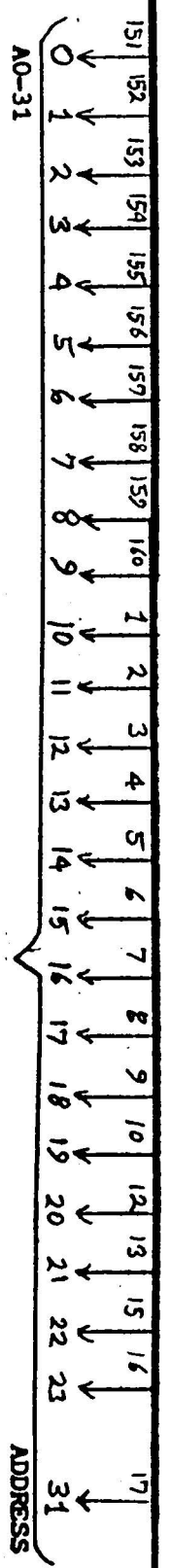
U12 $\Delta = 4, 8, 18, 30, 49, 63, 72, 85, 105, 115, 116, 128$
 $\equiv = 1, 2, 5, 19, 25, 35, 44, 57, 60, 66, 67, 77, 90, 95, 100, 110, 123$

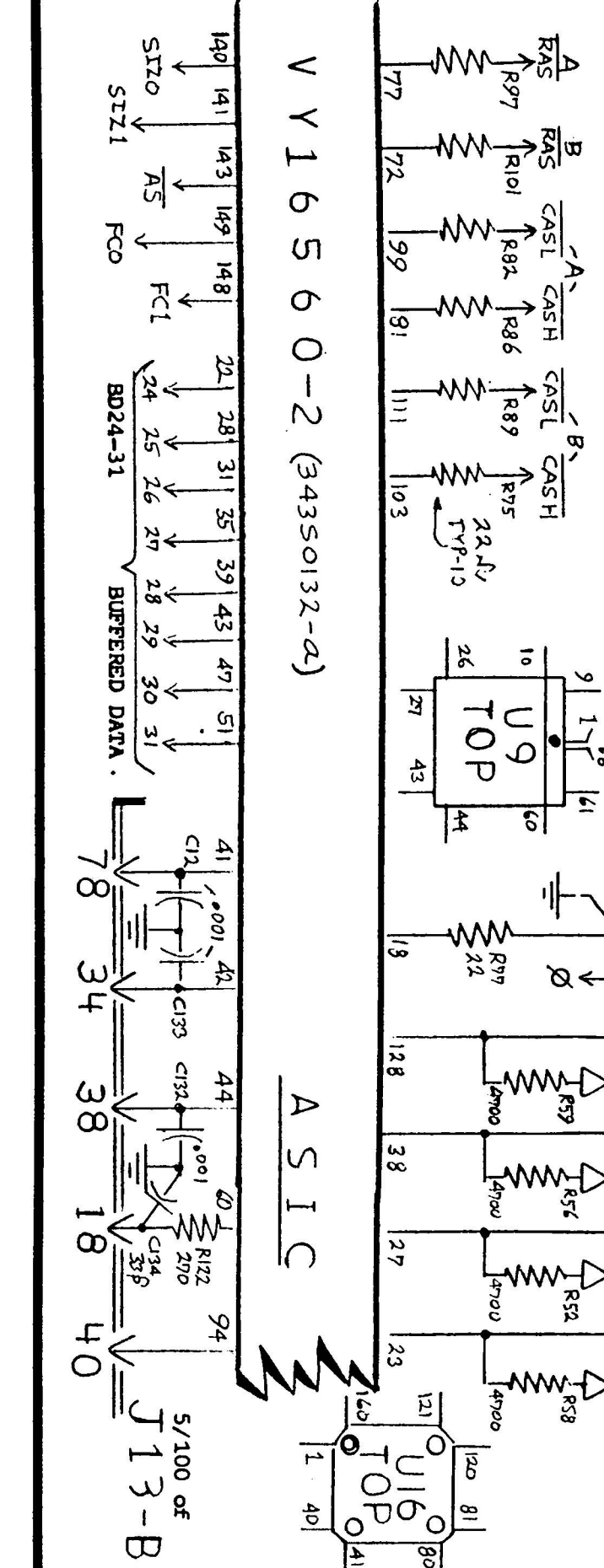
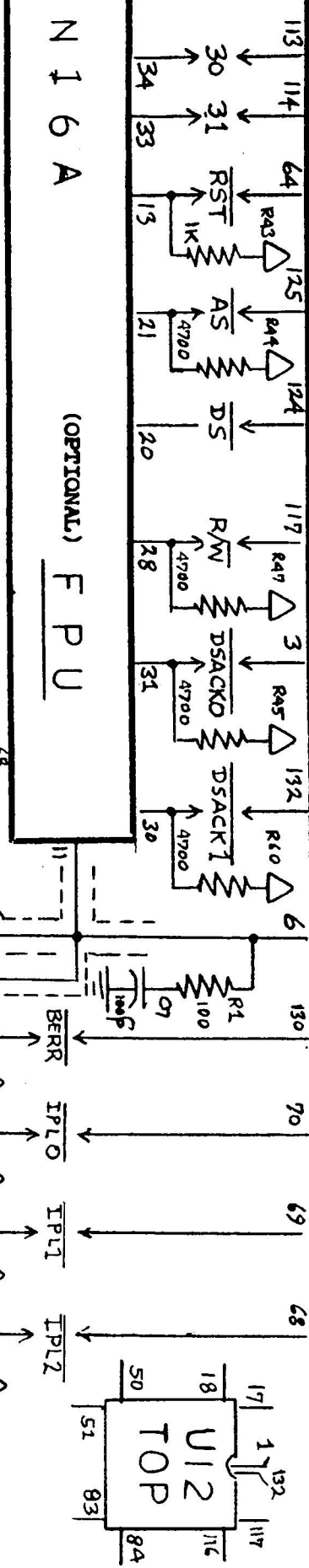
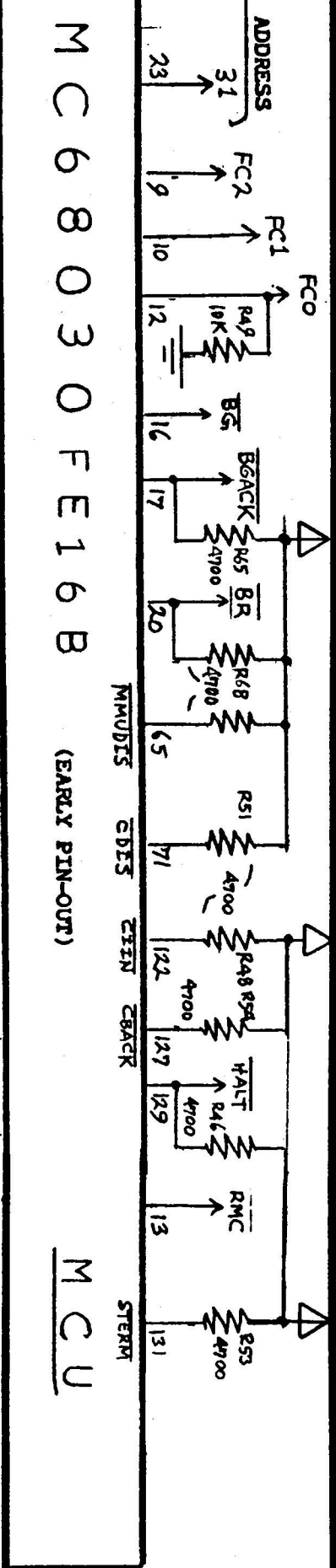


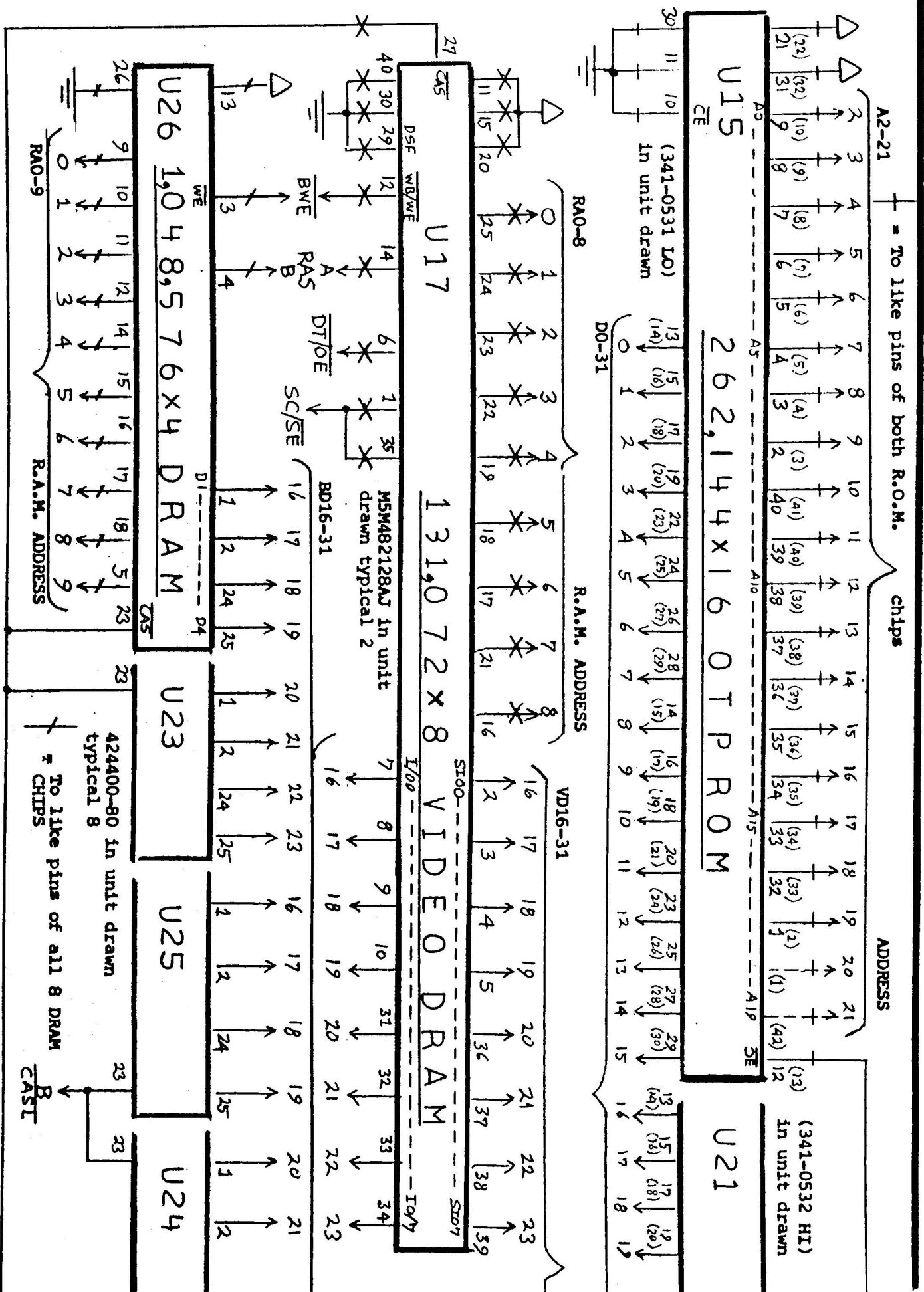
U9 $\Delta = 10, 16, 17, 27, 43, 52, 53, 61$
 $\equiv = 5-9, 12, 14, 19, 30, 41, 51, 63$
 M C 6 8 8 8 2 F



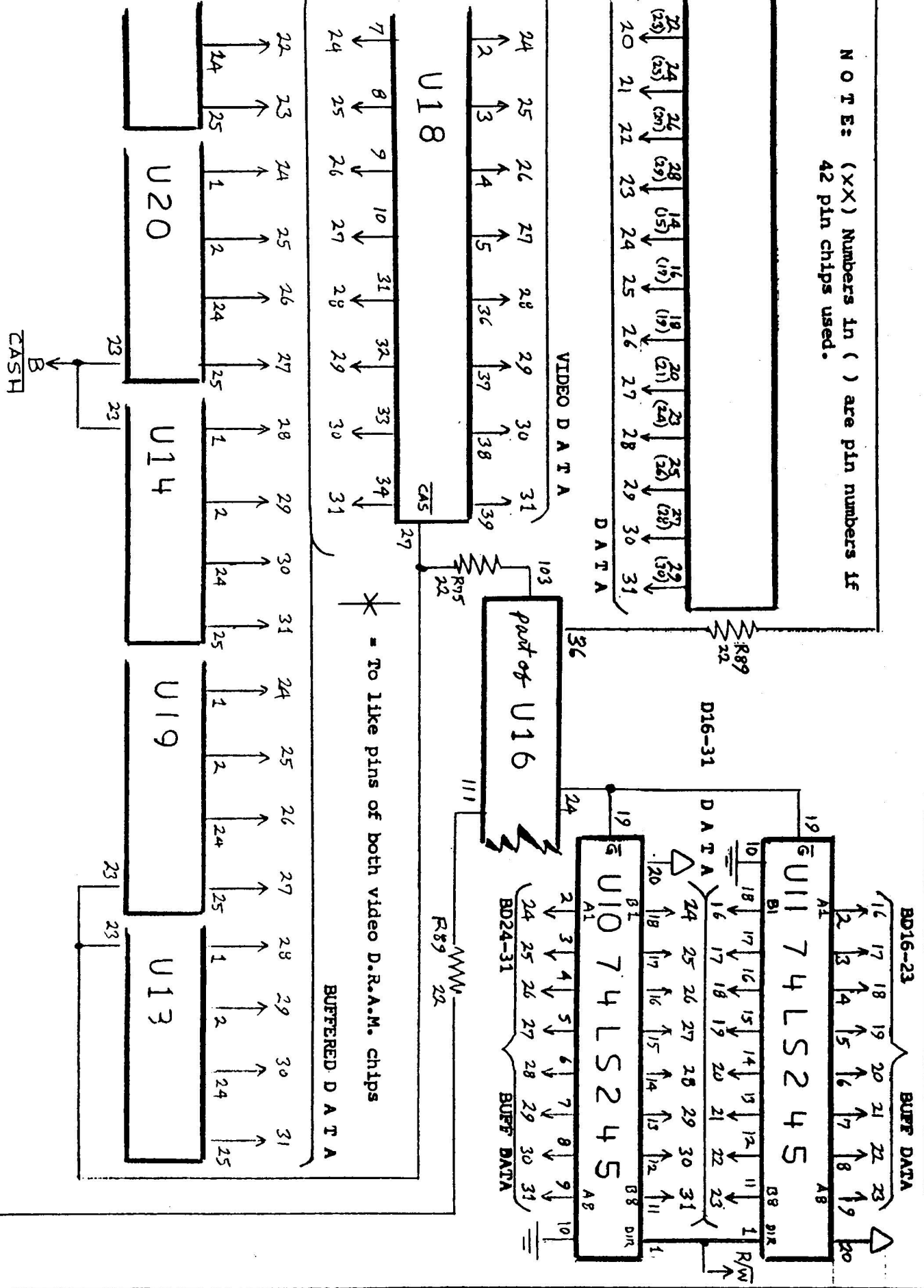
Part of U16 $\Delta = 34, 52, 54, 56, 65, 70, 90, 95, 108, 136$
 $\equiv = 11, 21, 32, 33, 50, 59, 63, 71, 88, 96, 101, 109, 114, 137, 142, 19$

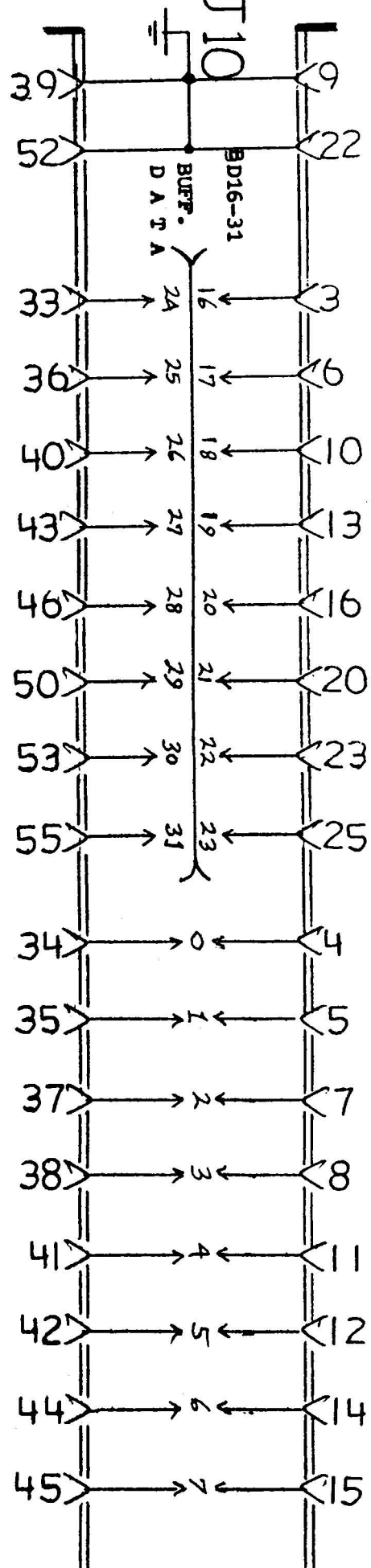
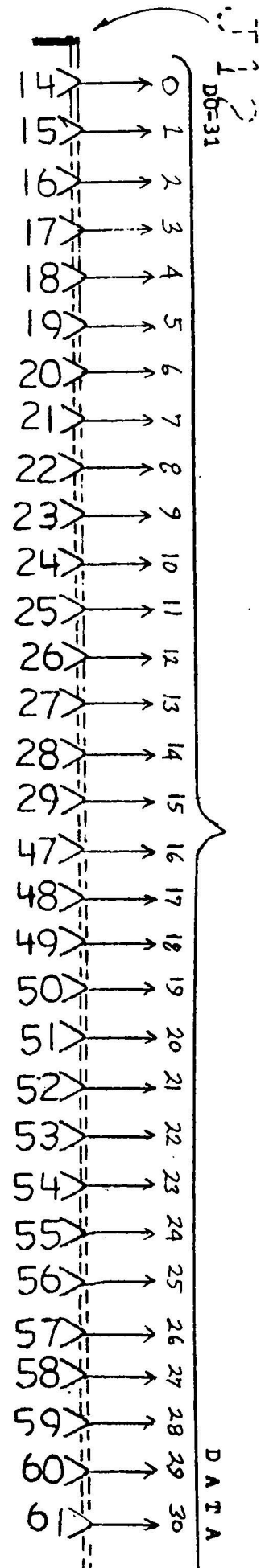
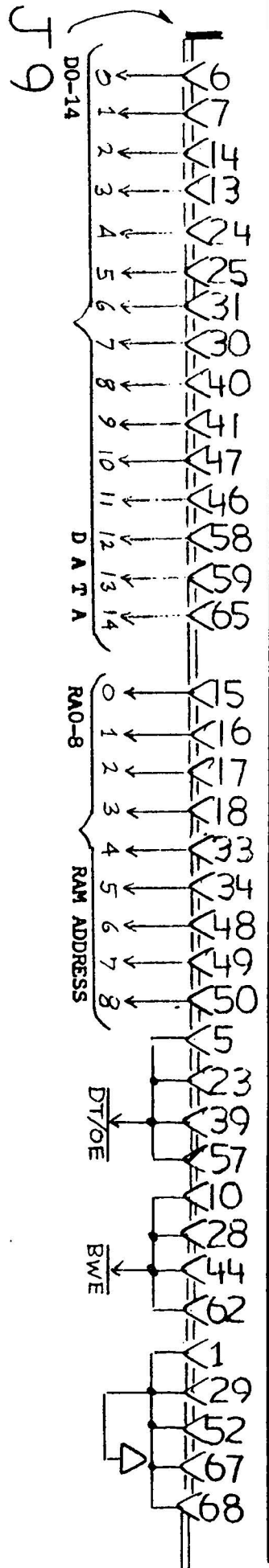




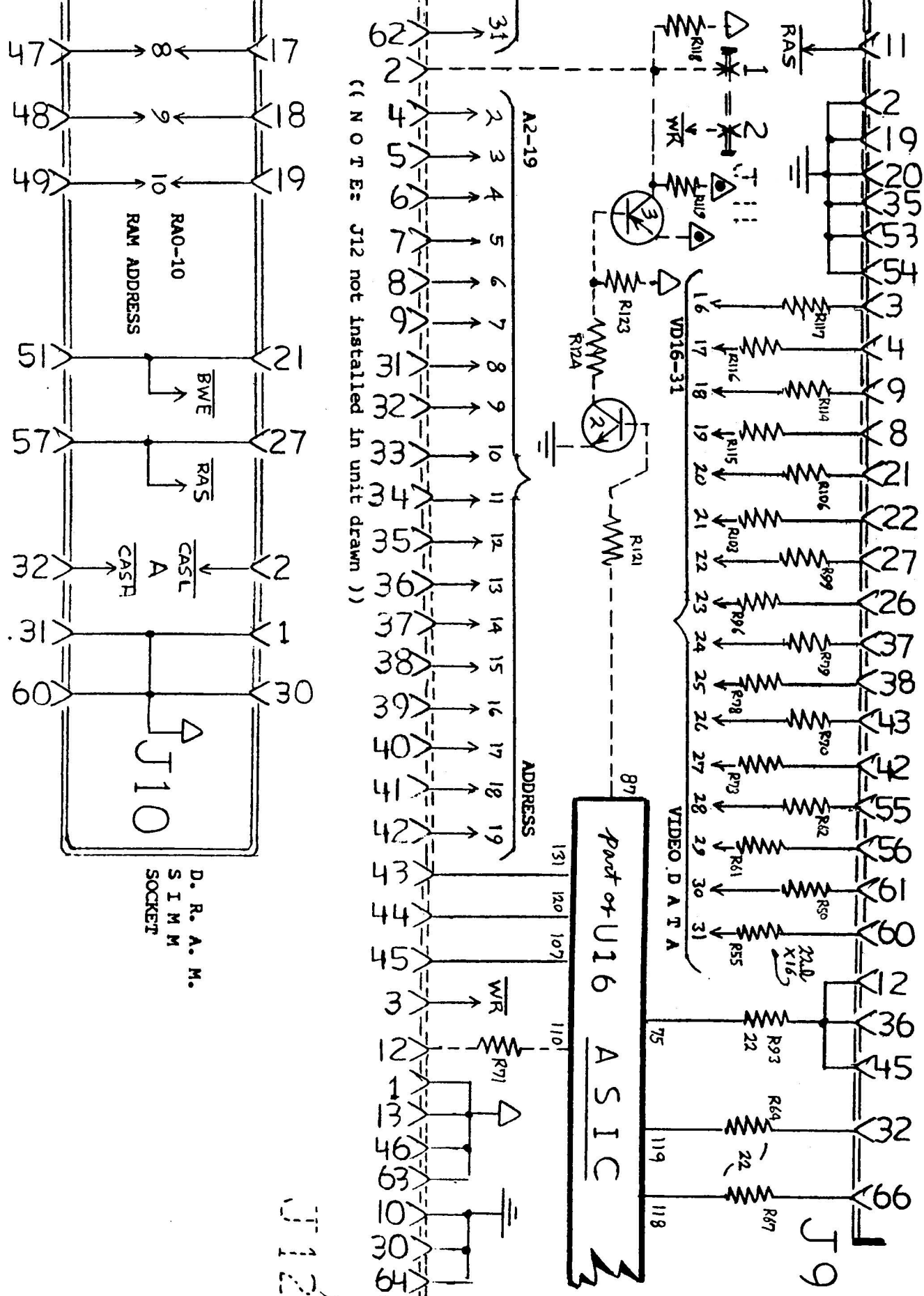


NOTE: (XX) Numbers in () are pin numbers if 42 pin chips used.

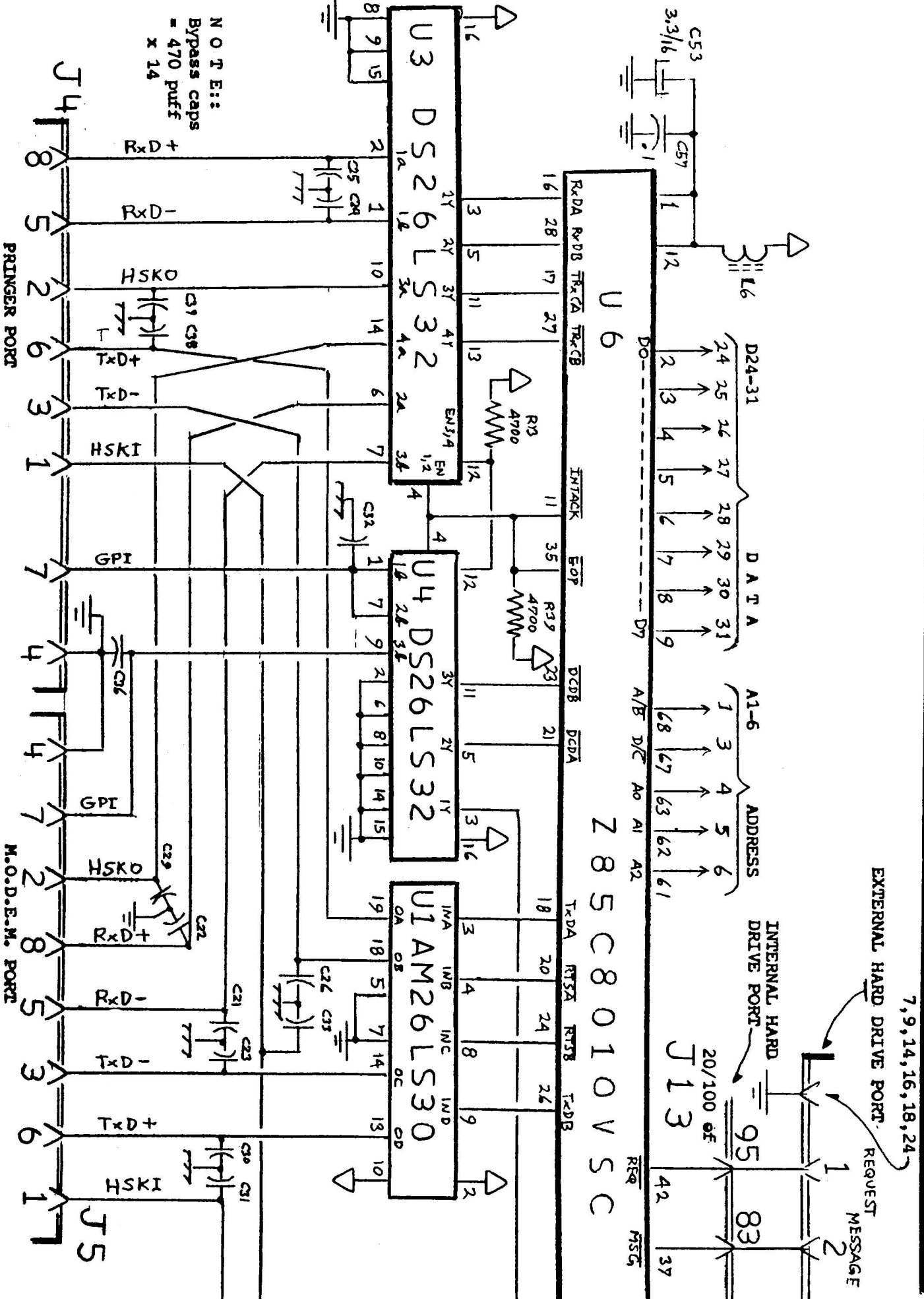


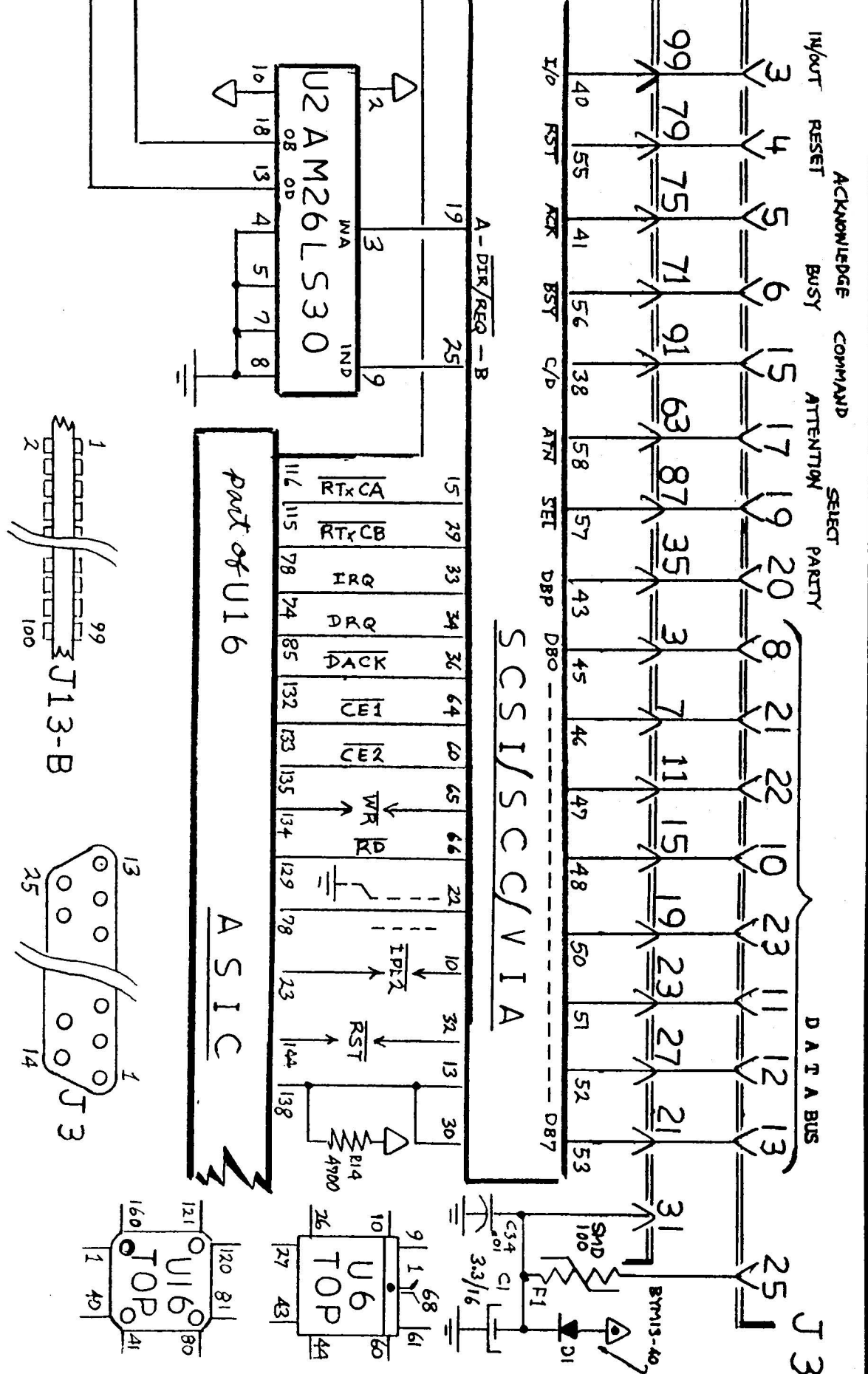


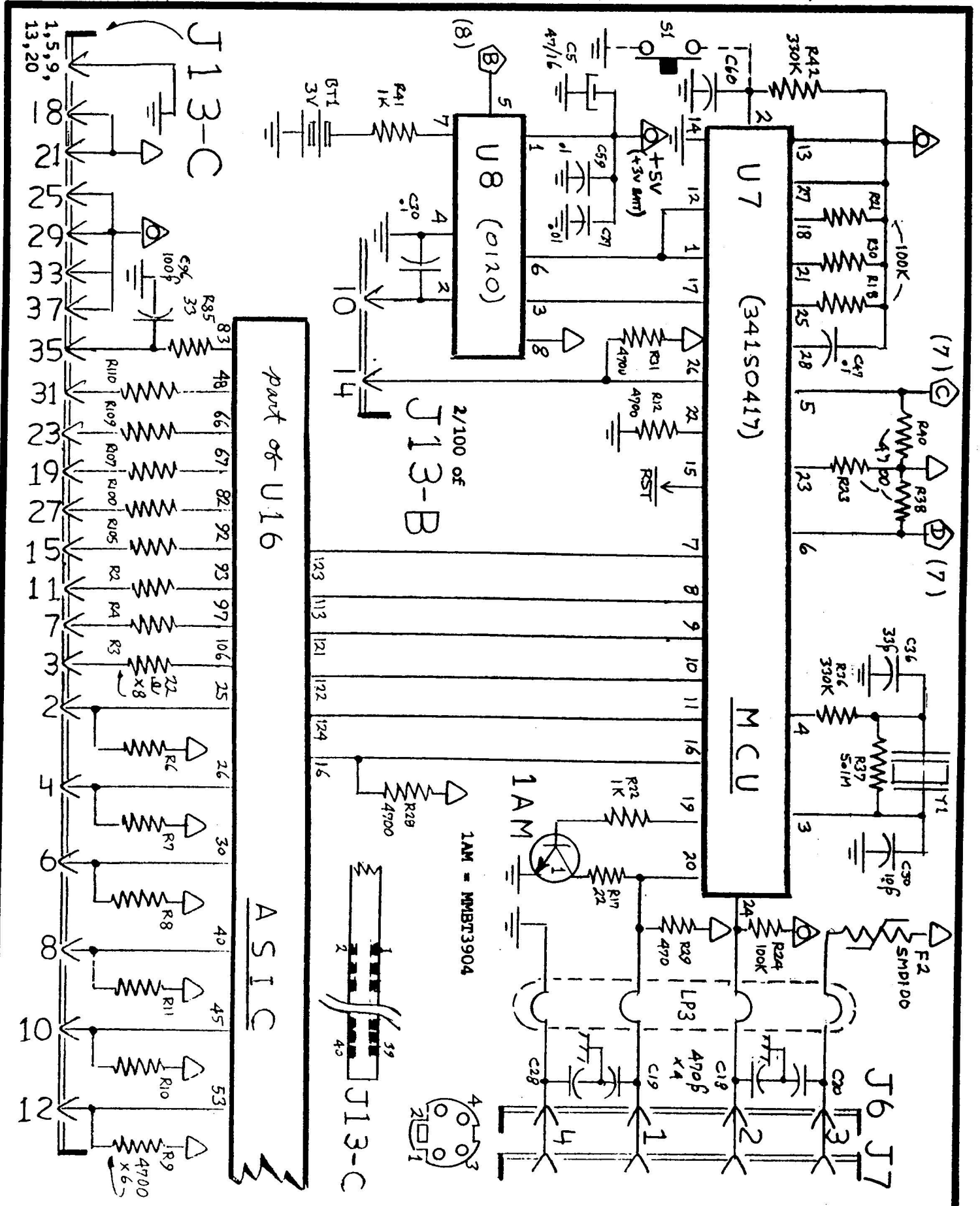
VIDEO D. R. A. M. SIMM SOCKET

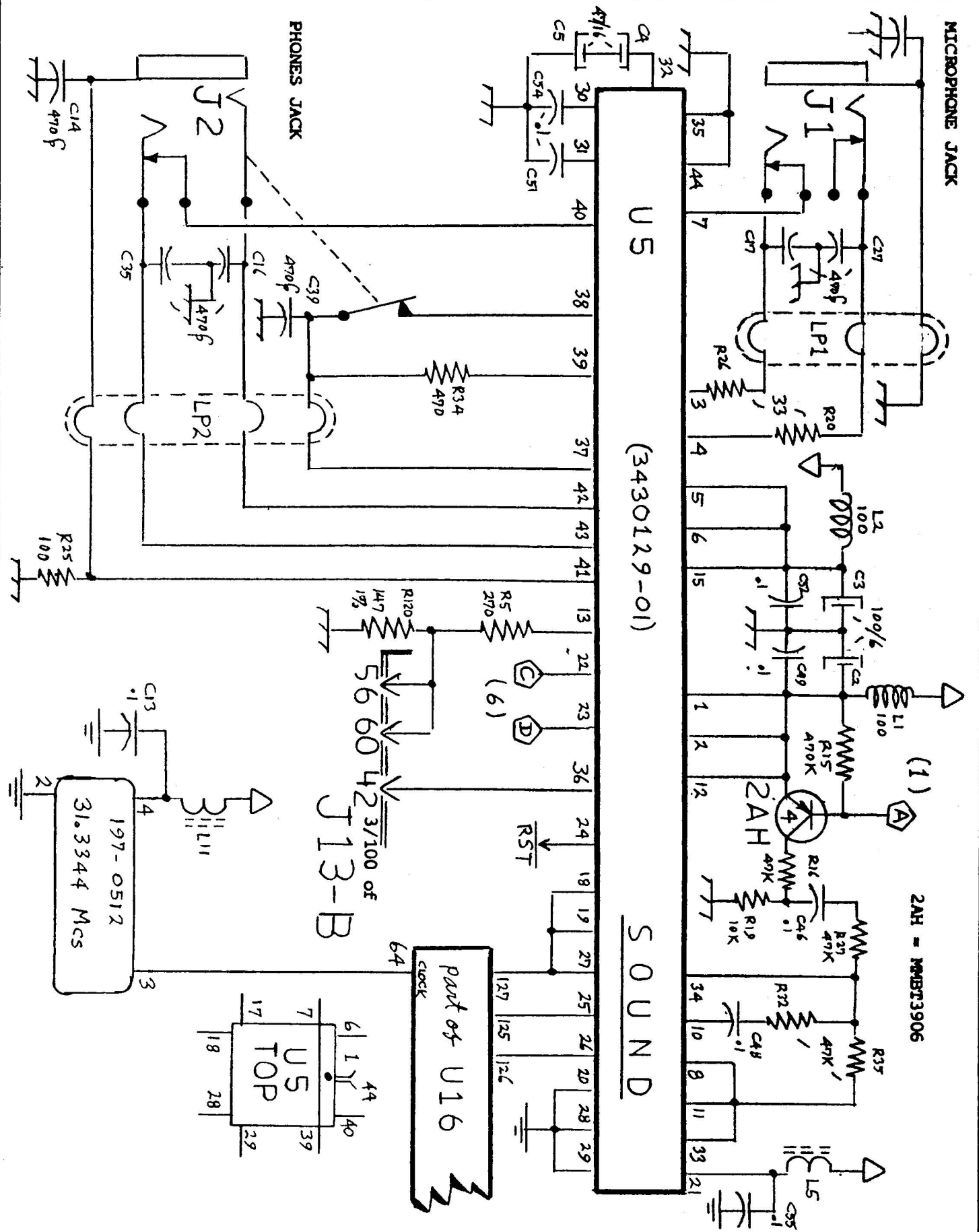


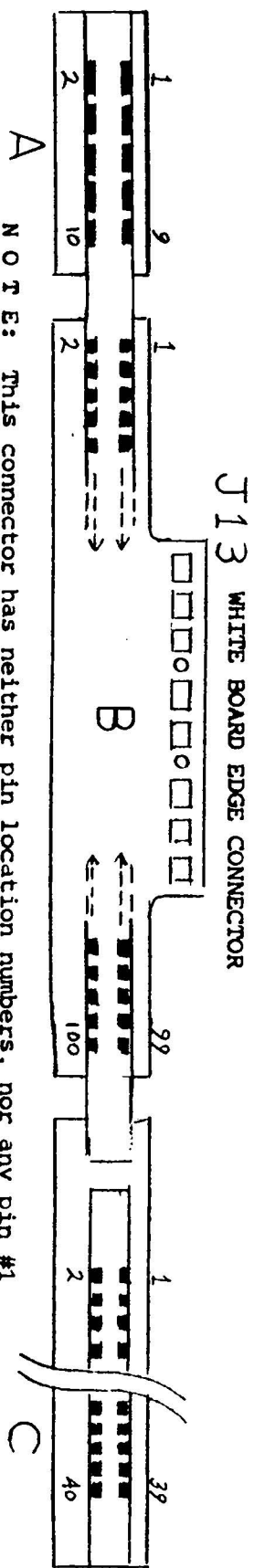
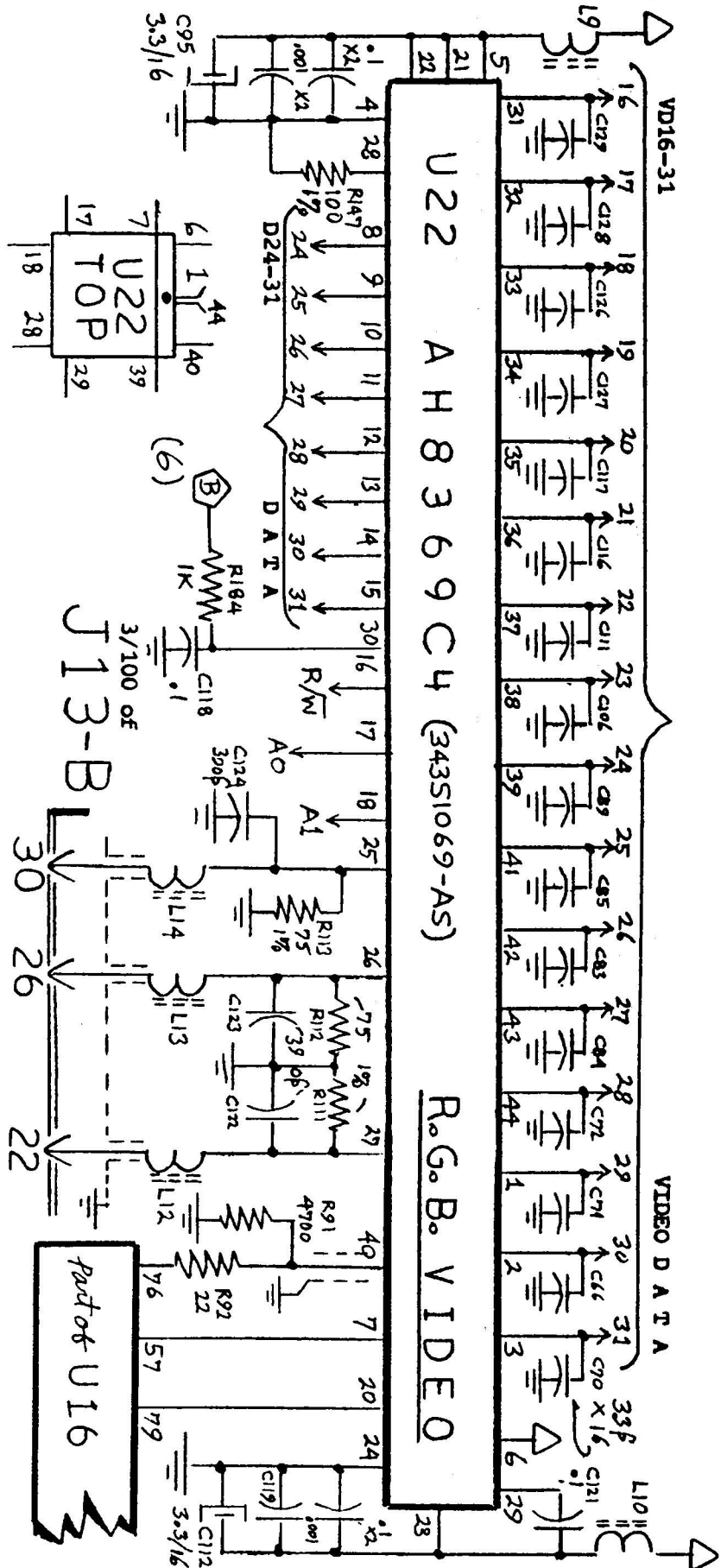
((NOTE: J12 not installed in unit drawn))











NOTE: This connector has neither pin location numbers, nor any pin #1 indexing. Pin numbers on this print are arbitrary and apply to this print only. They may or may not be the same as those assigned by Apple.

GROUND PINS FOR J13-B are: 1,4,5,8,9,12,13,16,17,20,21,24,25,28,29,32,33,36,37,39,41,43,45,49,52,53,55,57,59, 61,64,65,67,69,72,73,76,77,80,81,85,89,93,97

J13-A shown in full on sheet-1, J13-C shown in full on sheet-6.