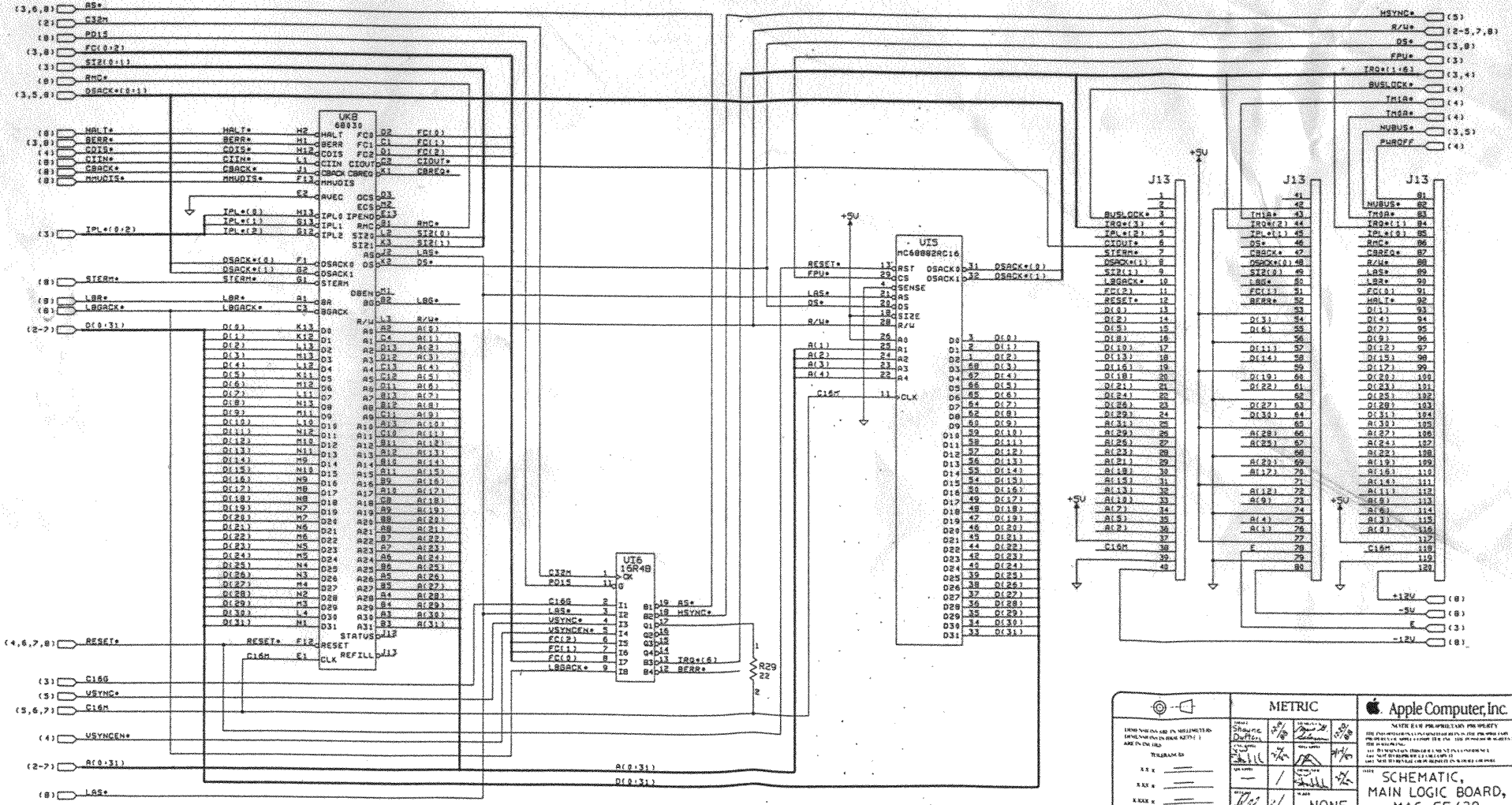


NOTE: UNLESS OTHERWISE SPECIFIED

1. ALL RESISTANCE VALUES ARE IN OHMS, +/- 5%, 1/8 WATT.
2. ALL CAPACITANCE VALUES ARE IN MICROFARADS.
3. () DENOTES SHEET TO SHEET REFERENCES.
4. COLD & HOT GROUND ARE CONNECTED TOGETHER AT TWO LOCATIONS, NEAR THE ADB CONNECTORS AND AT THE SOUND CIRCUIT.

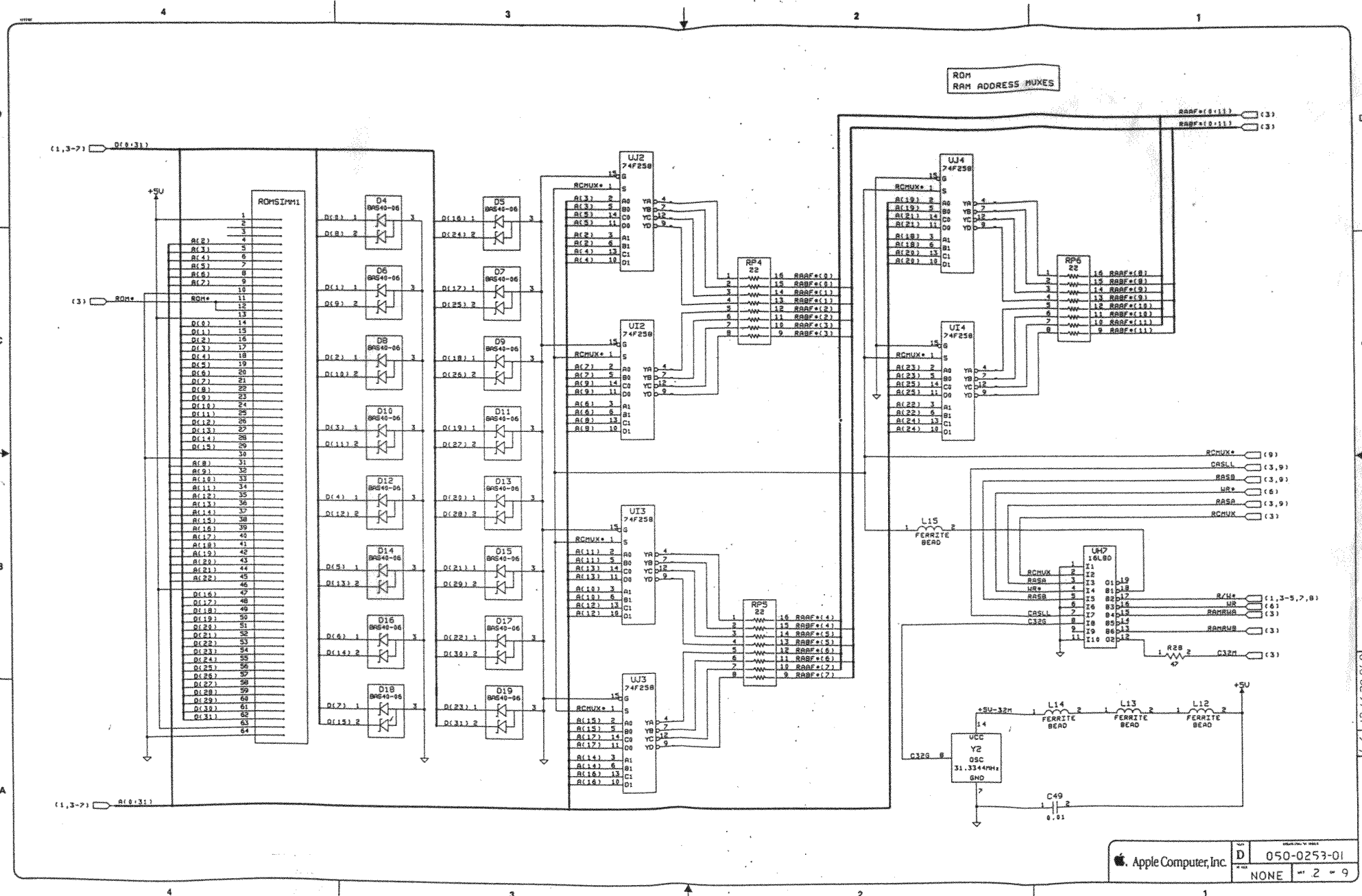
REV	DATE	BY	DESCRIPTION	APP'D	DATE
01	V1690	ENGINEERING	RELEASE		7/2/80

CPU (68030)
FPU (68091/68092)

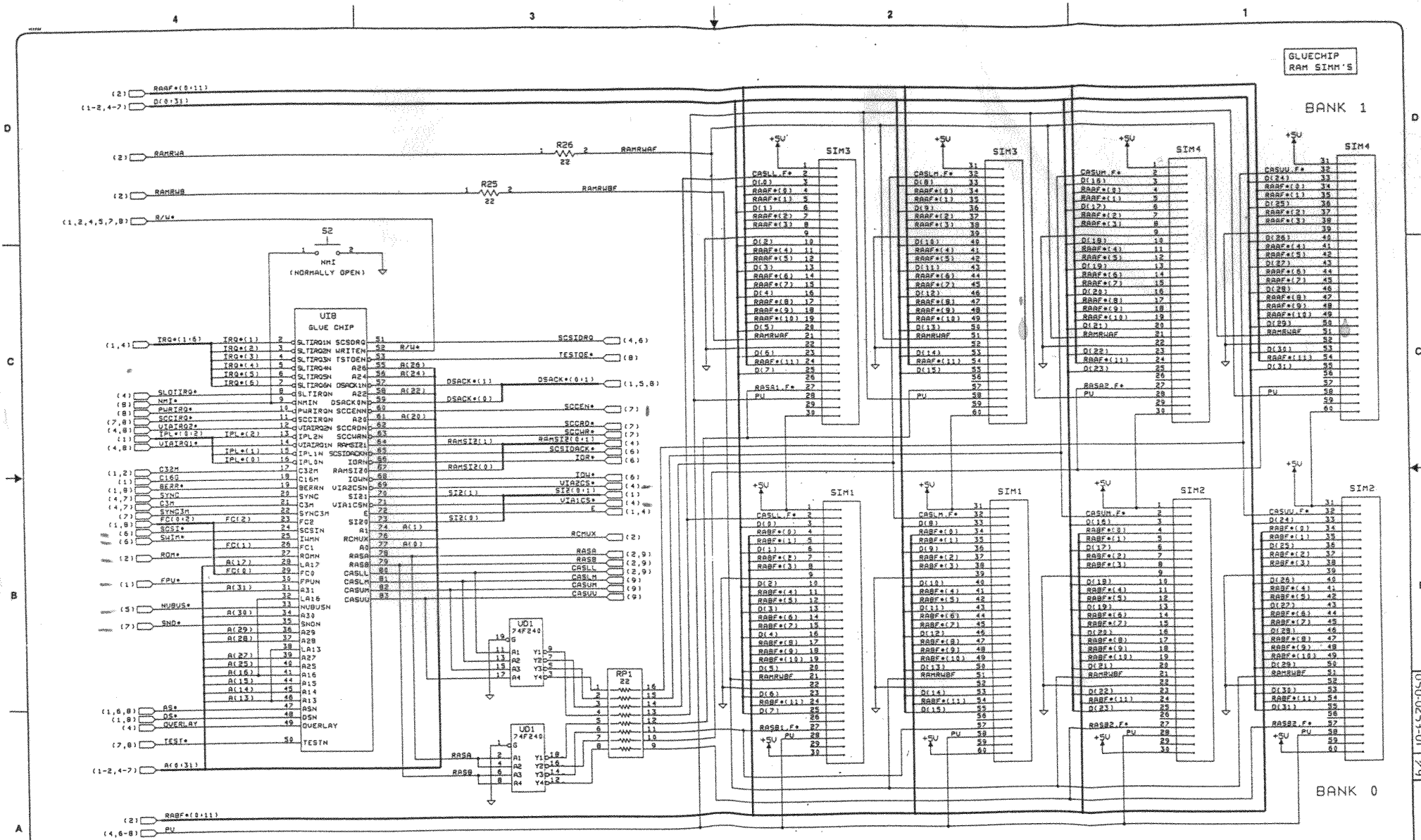


	METRIC	
	100% <input type="checkbox"/> 90% <input type="checkbox"/> 80% <input type="checkbox"/> 70% <input type="checkbox"/> 60% <input type="checkbox"/> 50% <input type="checkbox"/> 40% <input type="checkbox"/> 30% <input type="checkbox"/> 20% <input type="checkbox"/> 10% <input type="checkbox"/> 0% <input type="checkbox"/>	

050-0253-01 1/9



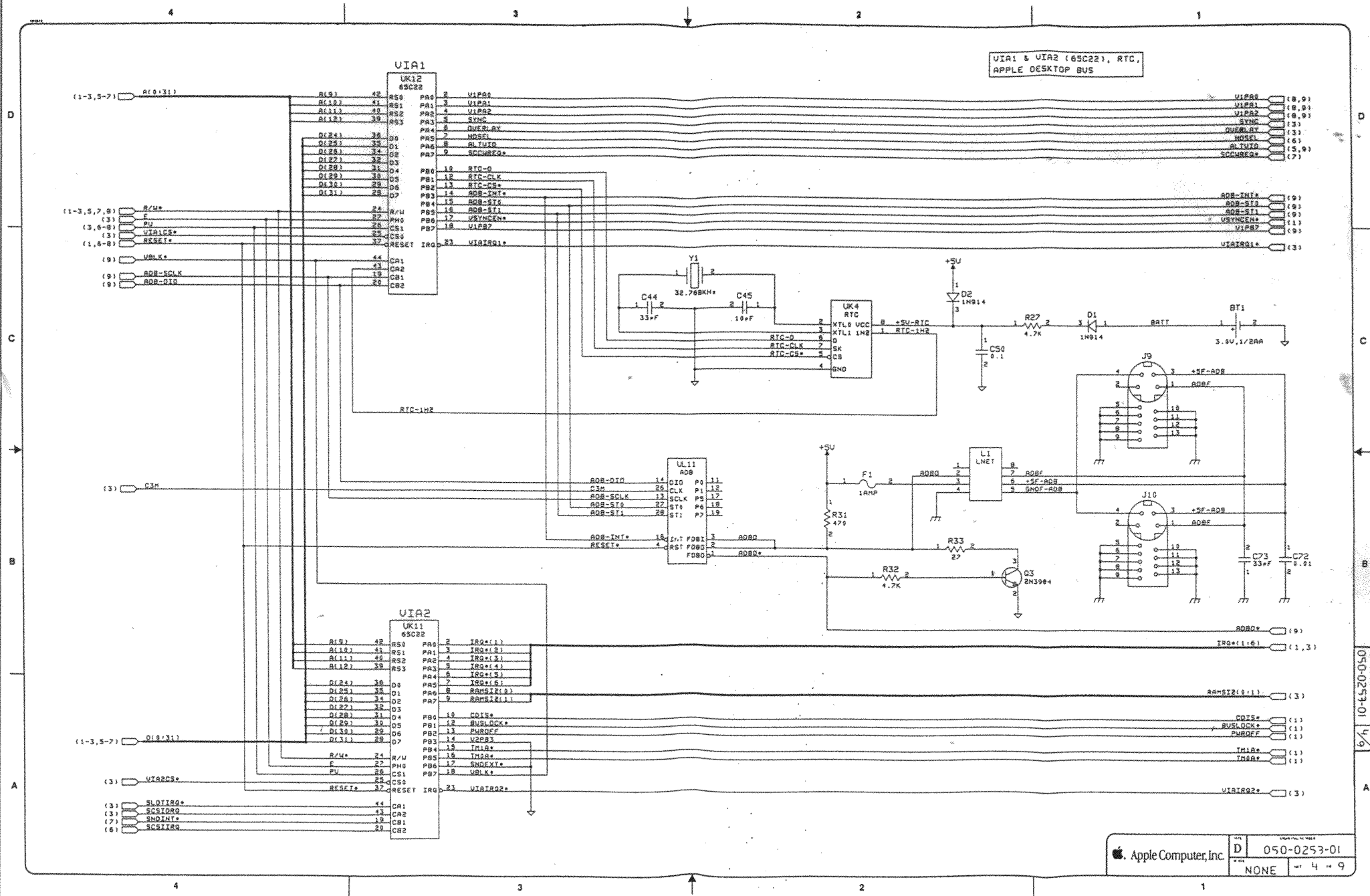
050-0253-01 2/6



GLUECHIP
RAM SIMM'S

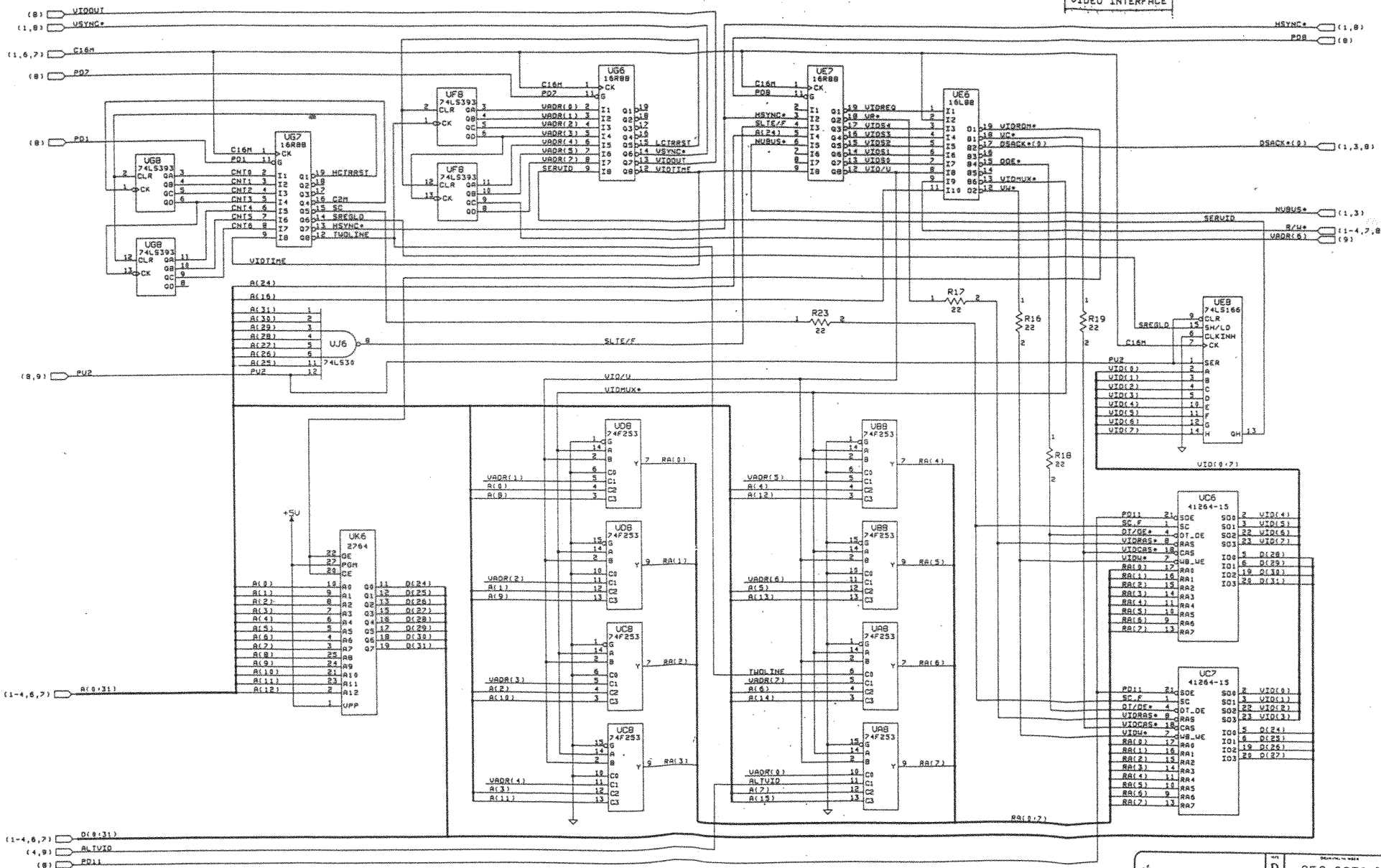
BANK 1

BANK 0



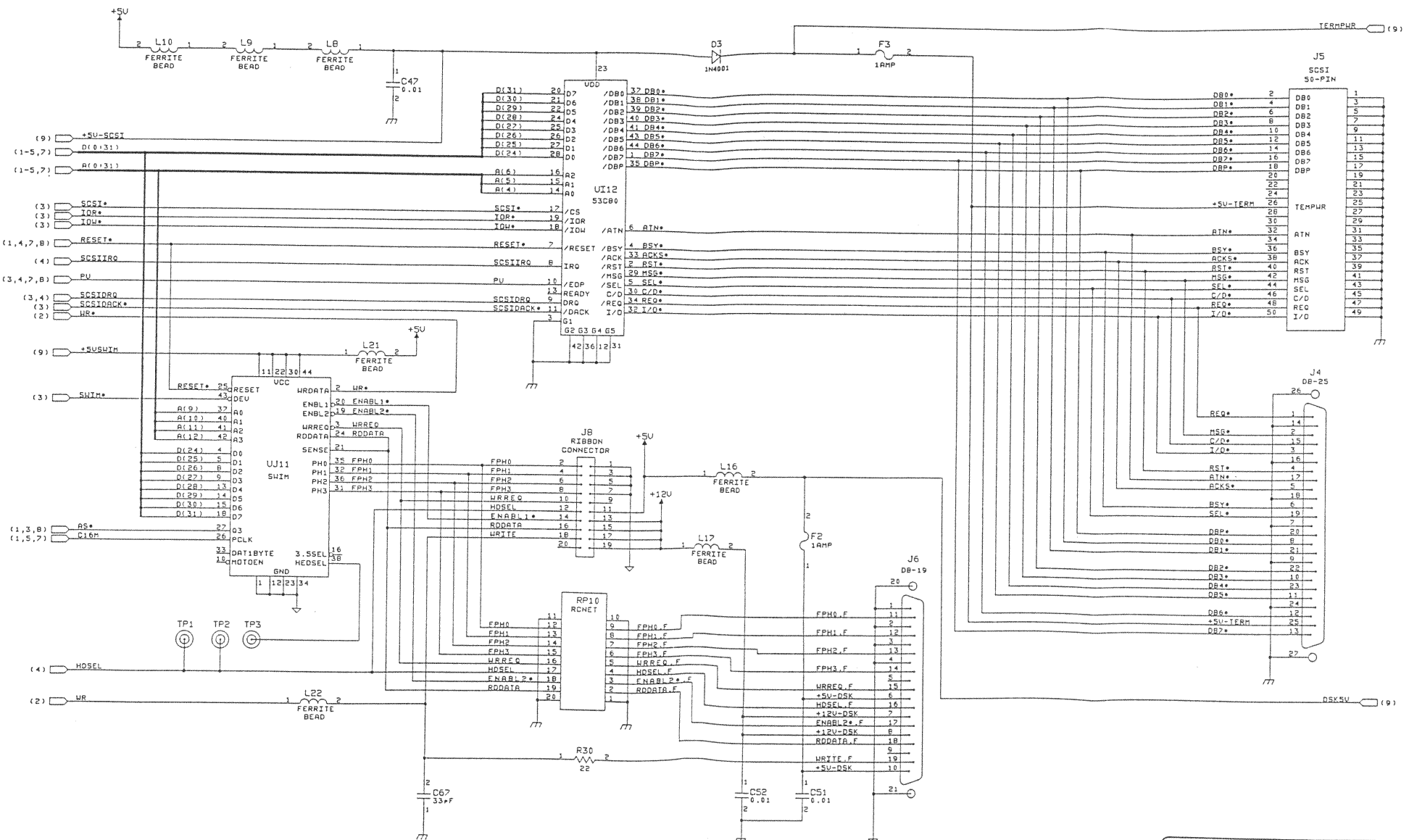
10-LS-020-050

VIDEO INTERFACE

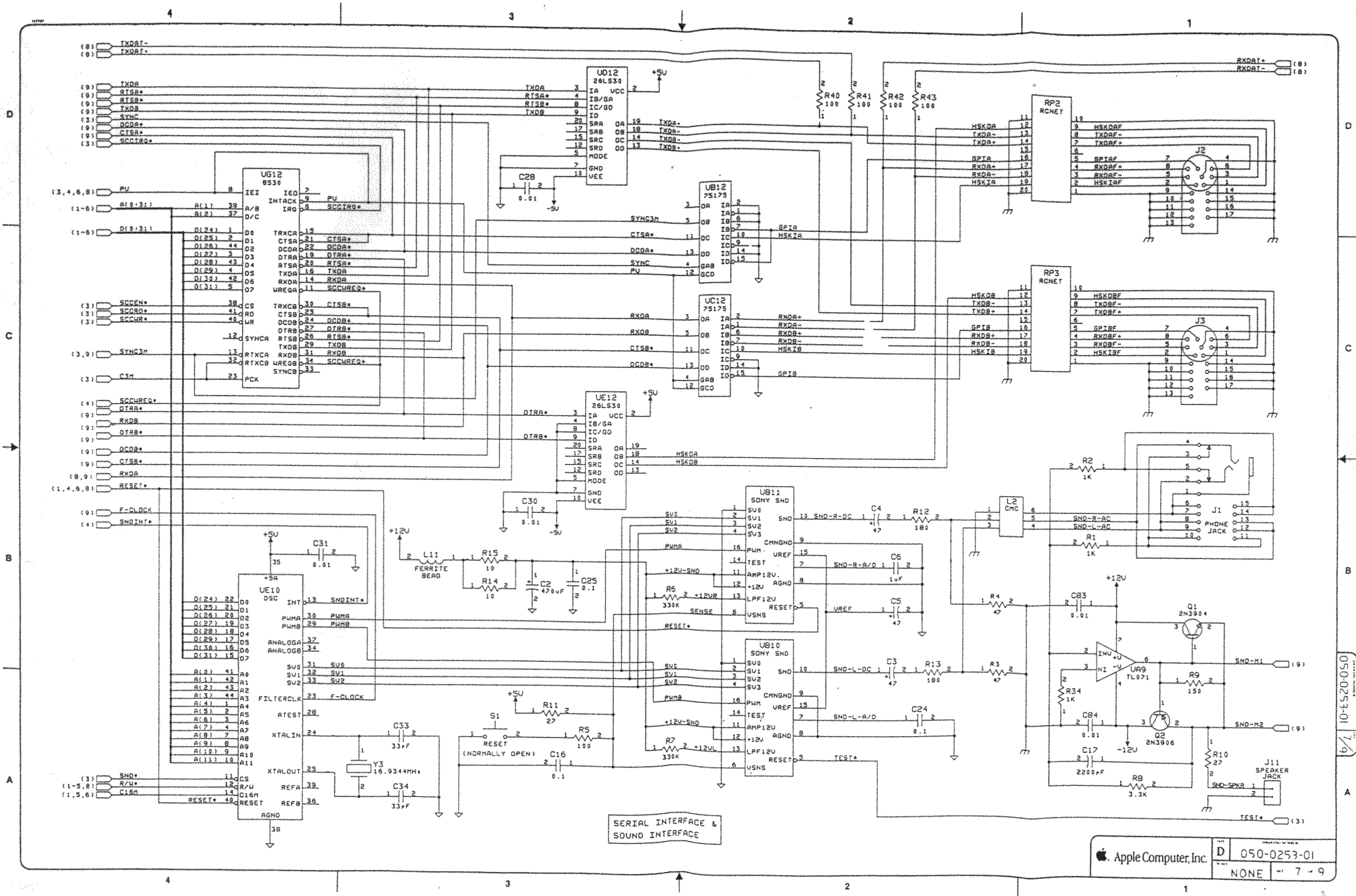


10-520-050
5 9

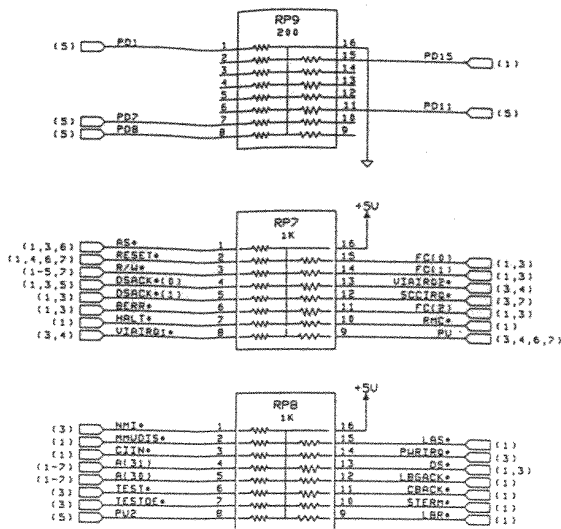
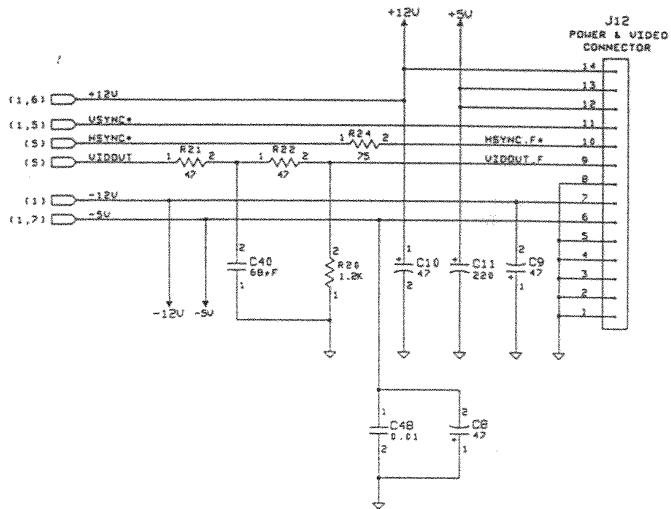
SWIM & SCSI INTERFACE



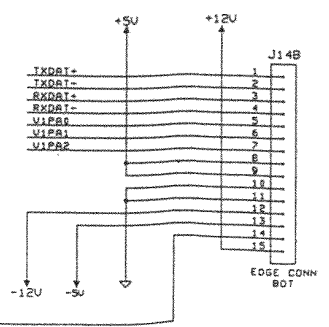
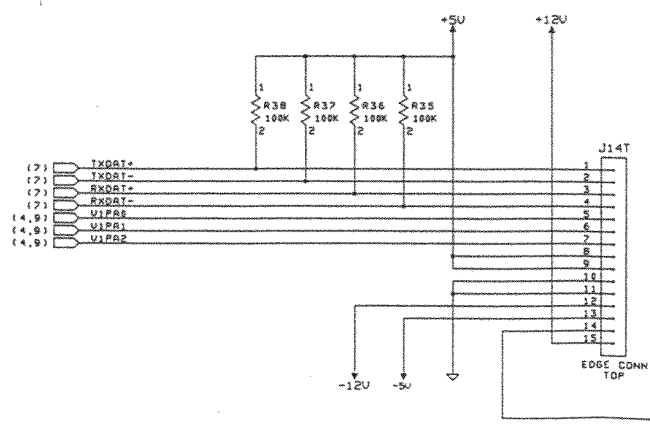
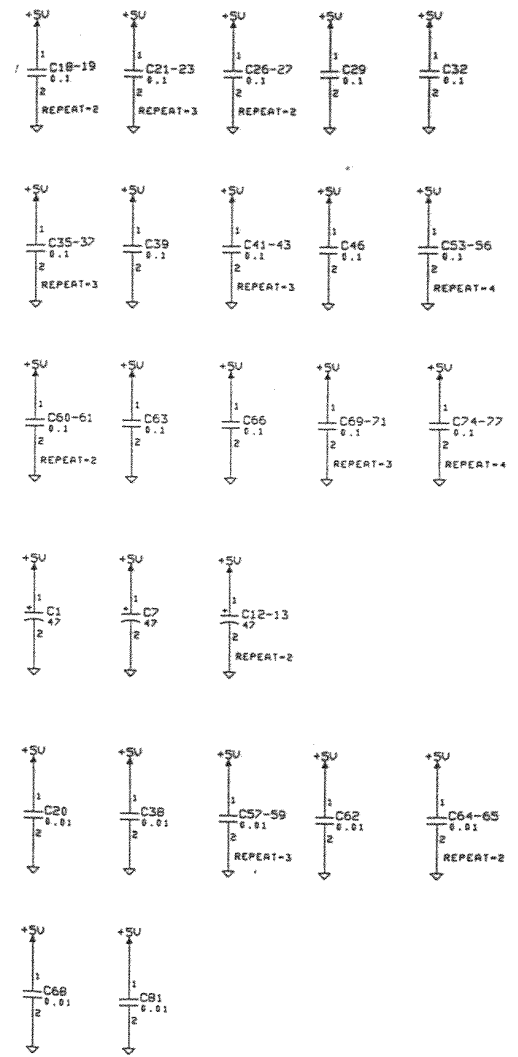
050-0253-10 6/9



050-0253-01 7/6



POWER CONNECTOR, PULLUPS & PULLDOWNS



050-0253-01 B/4