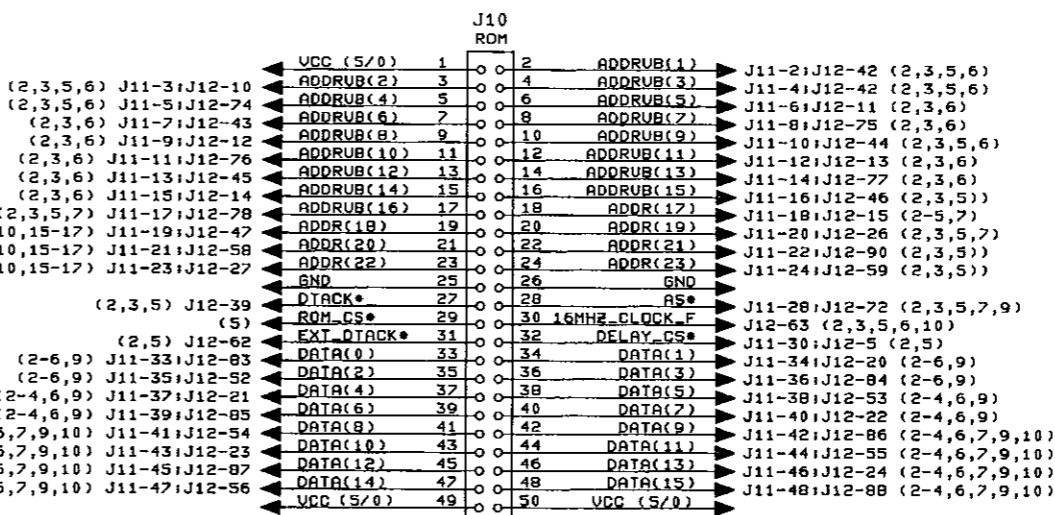
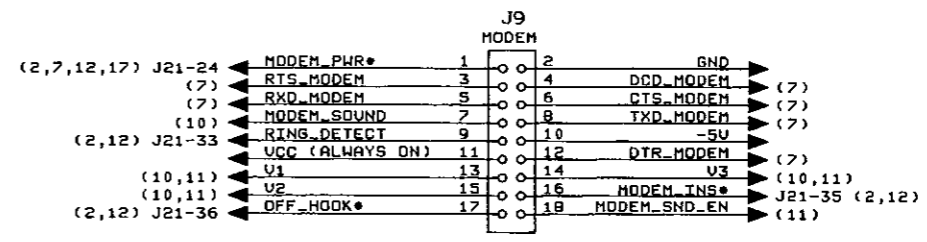
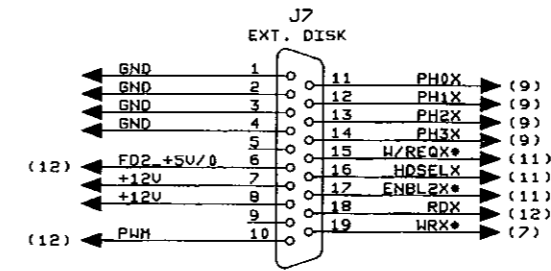
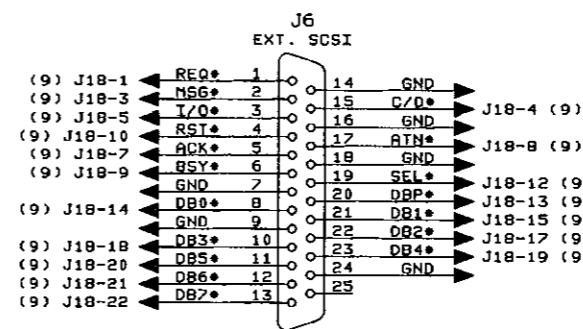
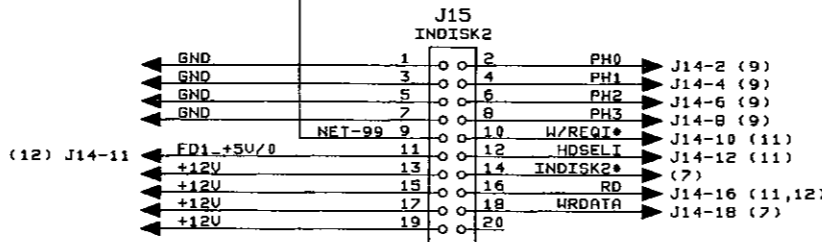
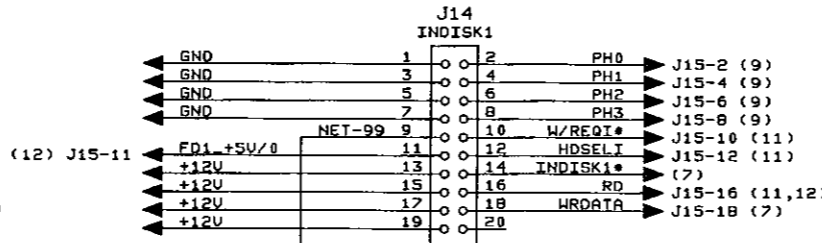
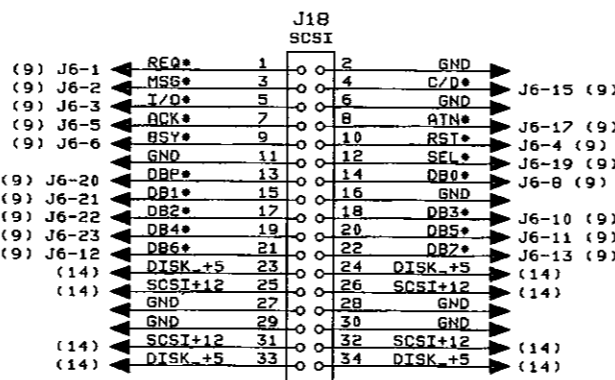
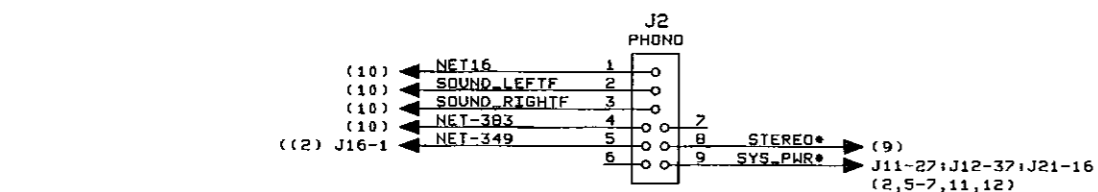
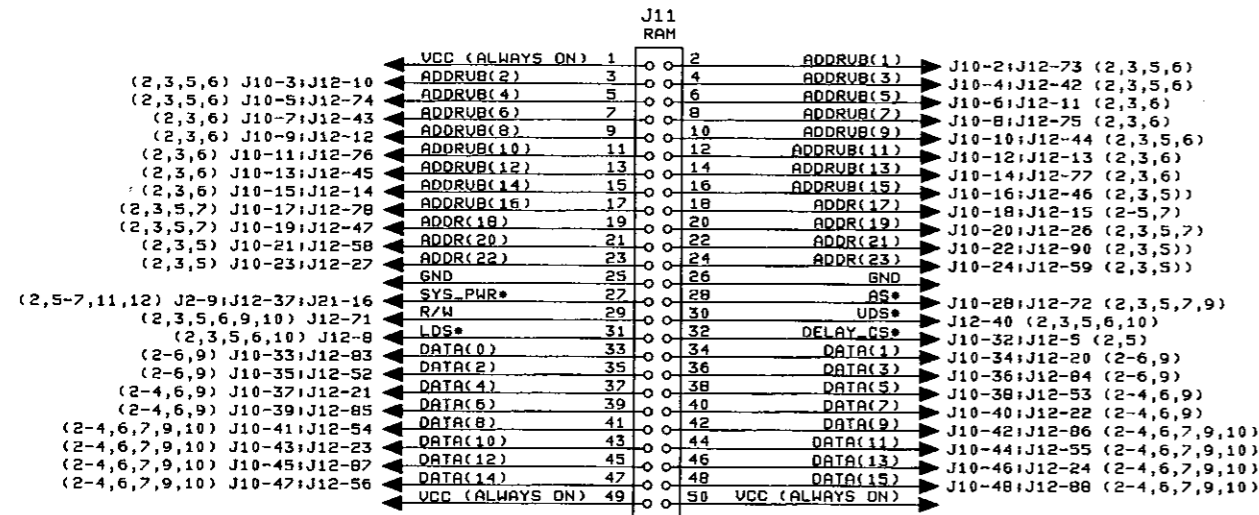
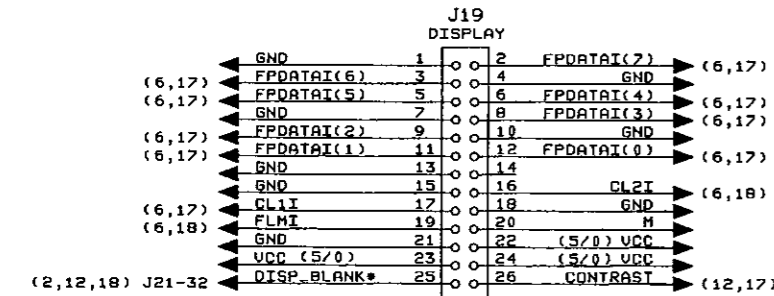
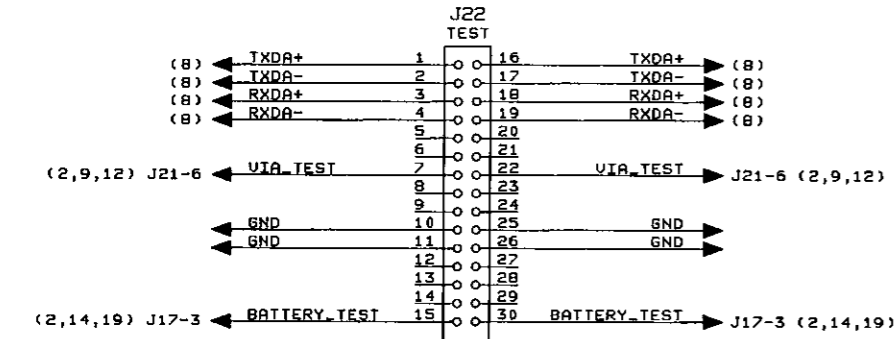


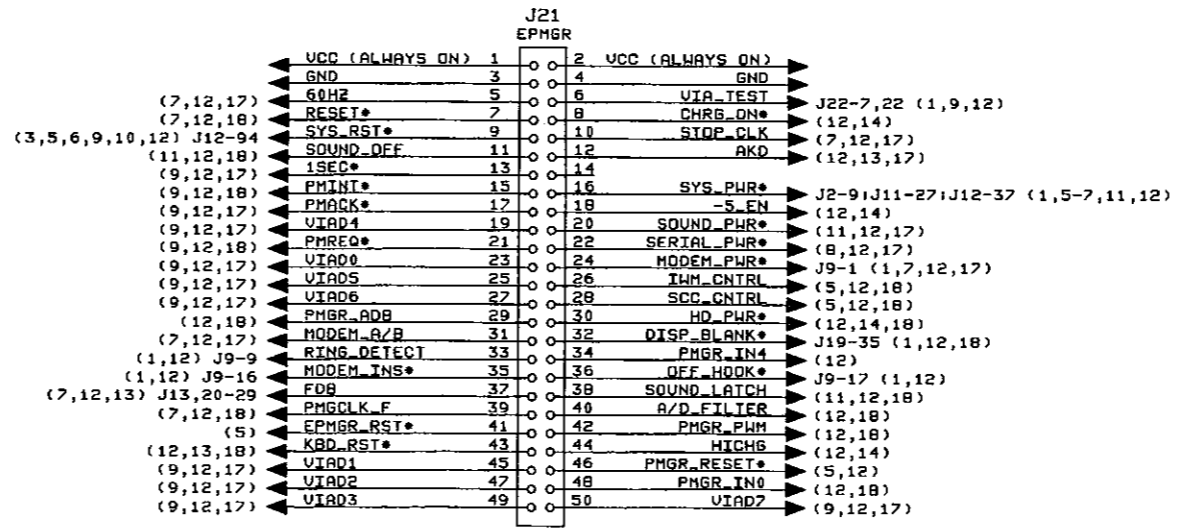
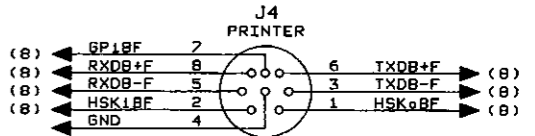
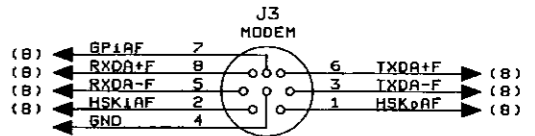
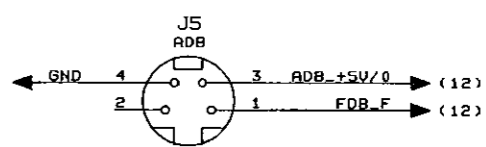
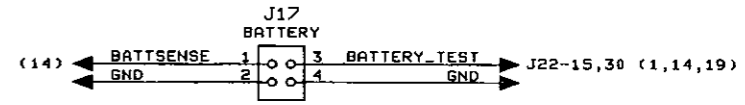
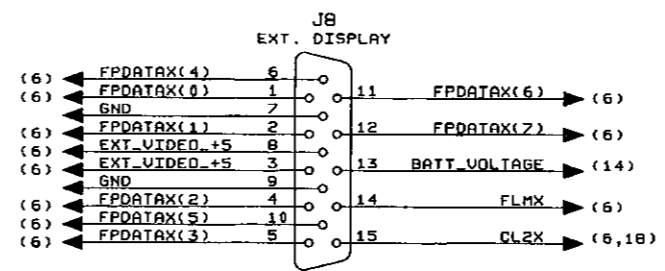
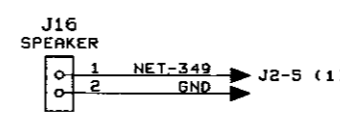
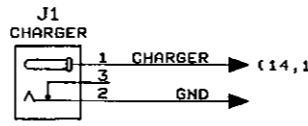
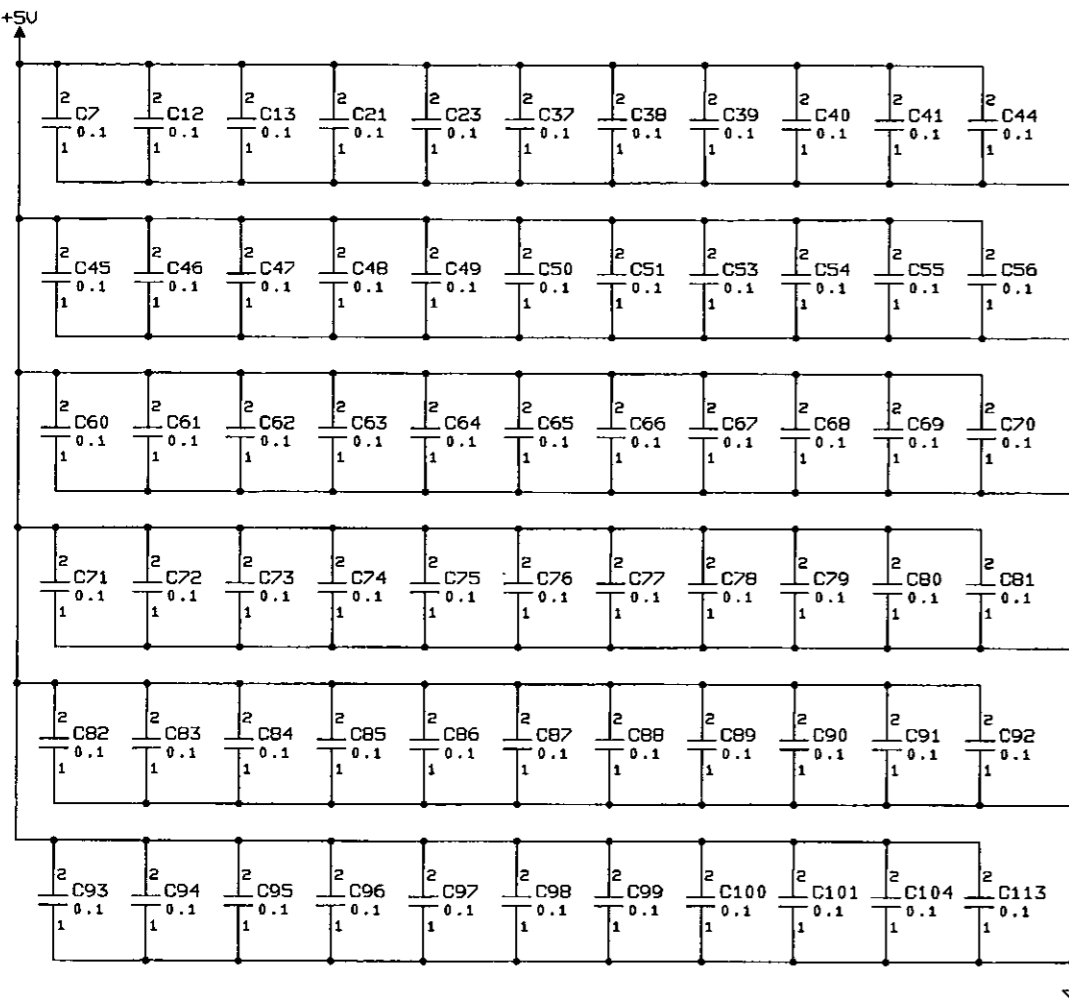
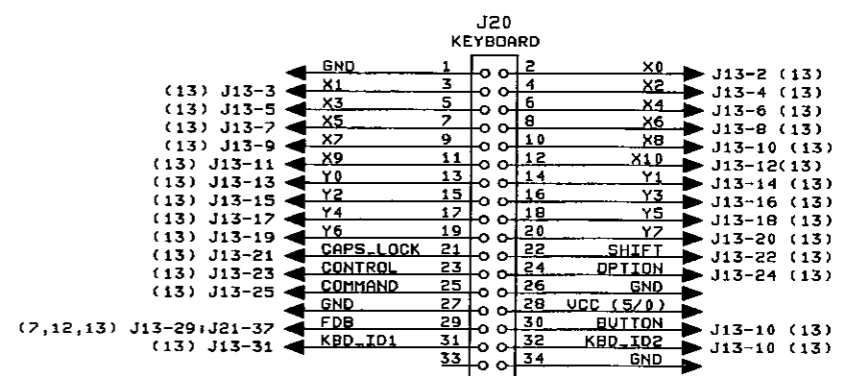
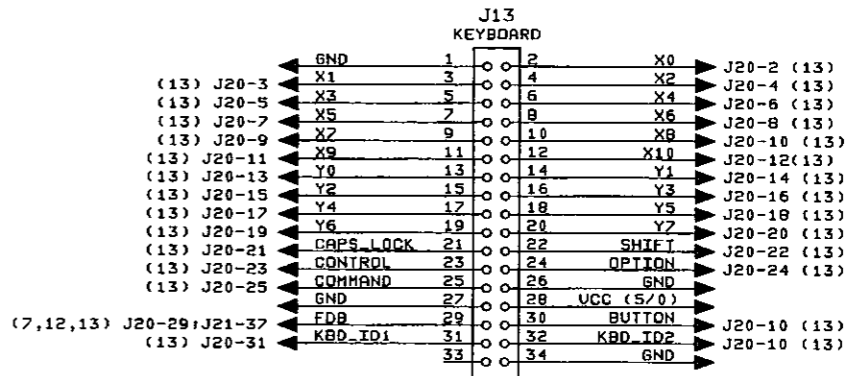
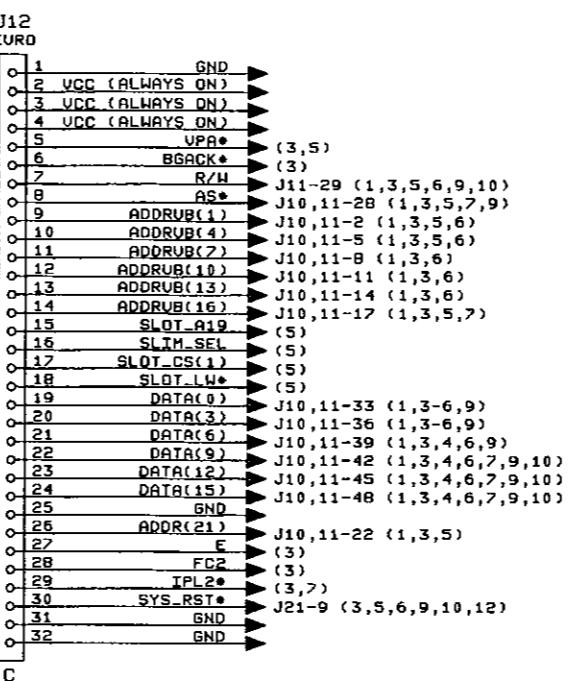
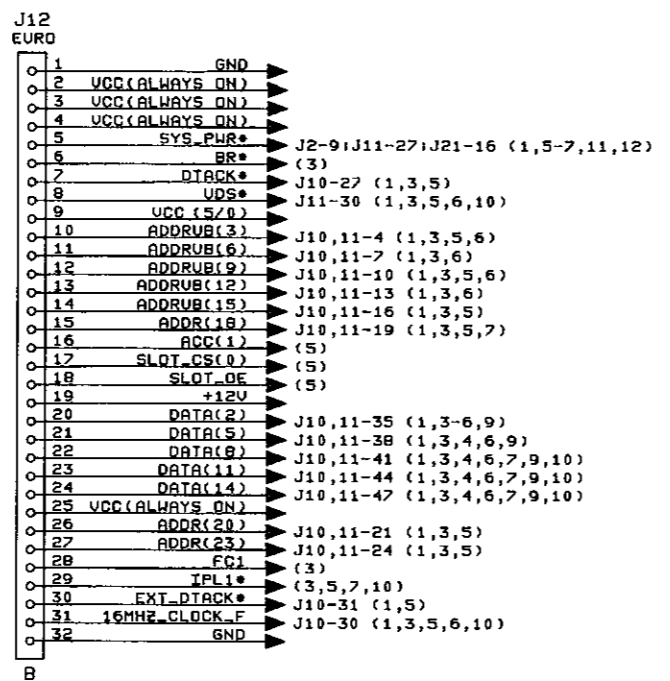
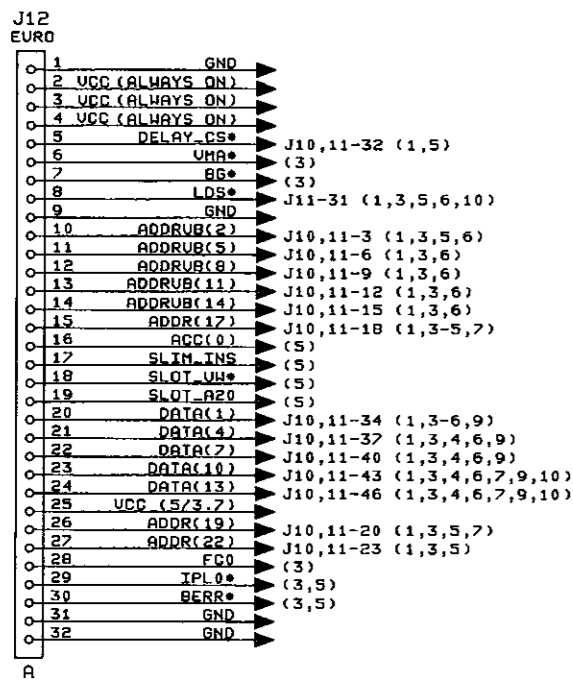
NOTES: (UNLESS OTHERWISE SPECIFIED)

1. ALL RESISTANCE VALUES ARE IN OHMS, 1/8 WATT, +/- 5%.
2. ALL CAPACITANCE VALUES ARE IN MICROFARADS.
3. () DENOTES SHEET TO SHEET REFERENCES.
4. PORT FOR SIGNALS WHICH GO TO A CONNECTOR.
5. PORT FOR SIGNALS WHICH GO ONLY TO A TEST POINT.

REV.	ZONE	ICN	DESCRIPTION OF REVISION	DATE	BY
A		V2689	PRODUCTION RELEASE		
B		V2856	REVISED PER ECN <i>10-30</i>		
C		V3049	REVISED PER ECN <i>1-31-91</i>		



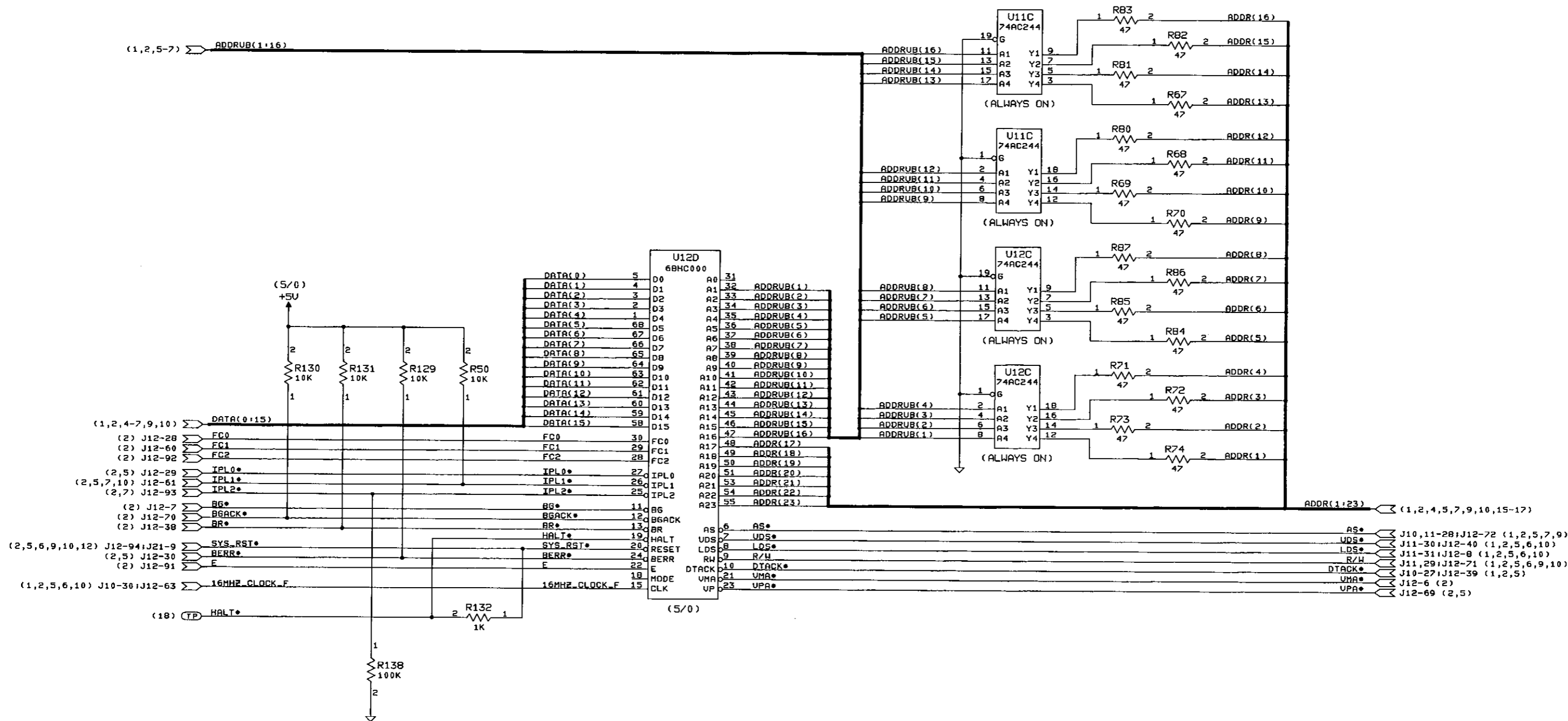
DIMENSIONS ARE IN MILLIMETERS		TOLERANCES		METRIC		Apple Computer, Inc.	
X/XX ±	—	RAILTON	DESIGNER	5/90	DATE	NOTICE OF PROPRIETARY PROPERTY	
XX ±	—	10/29	10/29	10/29	10/29	THE INFORMATION CONTAINED HEREIN IS THE PROPRIETARY PROPERTY OF APPLE COMPUTER, INC. THE POSSESSOR AGREES TO THE FOLLOWING:	
XXX ±	—	RELEASE	SCALE	1/10	SCALE	TO MAINTAIN THIS DOCUMENT IN CONFIDENCE	
ANGLES ±	—	SCALE	SCALE	1/10	SCALE	(a) NOT TO REPRODUCE OR COPY IT	
DO NOT SCALE DRAWINGS		THIRD ANGLE PROJECTION		TITLE		SCHEMATIC, MACINTOSH PORTABLE	
MATERIAL/TENSH NOTED AS APPLICABLE		SIZE		DRAWING NUMBER		REV.	
		D		050-0219		C	
				SHEET		OF 19	



NOTICE OF PROPRIETARY PROPERTY
 THE INFORMATION CONTAINED HEREIN IS THE PROPRIETARY PROPERTY OF APPLE COMPUTER, INC. THE POSSESSOR AGREES TO THE FOLLOWING:
 (1) TO MAINTAIN THIS DOCUMENT IN CONFIDENCE
 (2) NOT TO REPRODUCE OR COPY IT
 (3) NOT TO REVEAL OR PUBLISH IT IN WHOLE OR PART

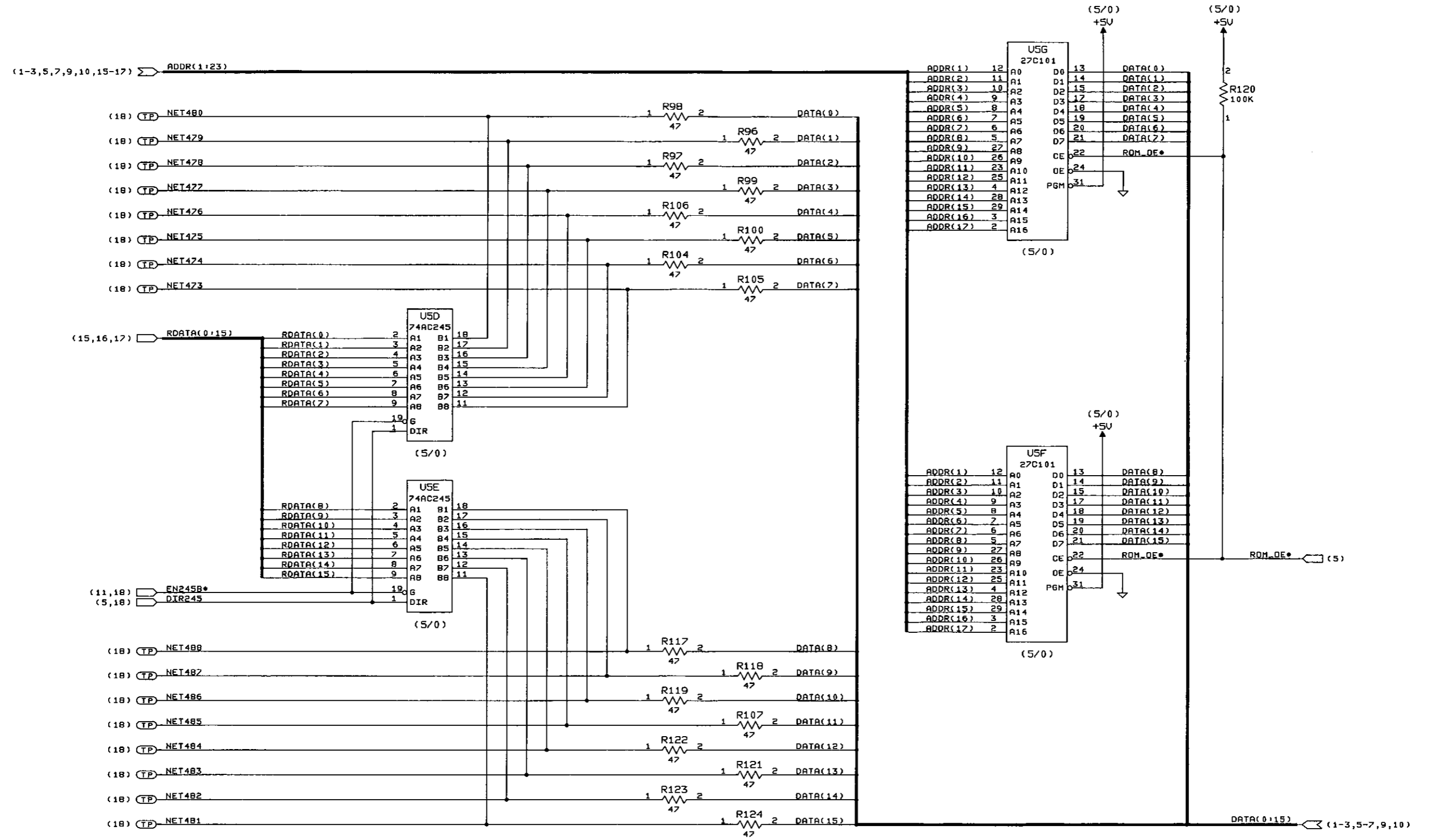
050-0219 C

68000 INTERFACE



NOTICE OF PROPRIETARY PROPERTY
 THE INFORMATION CONTAINED HEREIN IS THE PROPRIETARY
 PROPERTY OF APPLE COMPUTER, INC. THE POSSESSOR AGREES
 TO THE FOLLOWING:
 (1) TO MAINTAIN THIS DOCUMENT IN CONFIDENCE
 (2) NOT TO REPRODUCE OR COPY IT
 (3) NOT TO REVEAL OR PUBLISH IT IN WHOLE OR PART

RAM / ROM INTERFACE



NOTICE OF PROPRIETARY PROPERTY
 THE INFORMATION CONTAINED HEREIN IS THE PROPRIETARY
 PROPERTY OF APPLE COMPUTER, INC. THE POSSESSOR AGREES
 TO THE FOLLOWING:
 (1) TO MAINTAIN THIS DOCUMENT IN CONFIDENCE
 (2) NOT TO REPRODUCE OR COPY IT
 (3) NOT TO REVEAL OR PUBLISH IT IN WHOLE OR PART

Apple Computer, Inc.	SIZE	DRAWING NUMBER	REV.
		D 050-0219	C
	SCALE	SHEET 1	SHEET 4 OF 19

CPU GLU

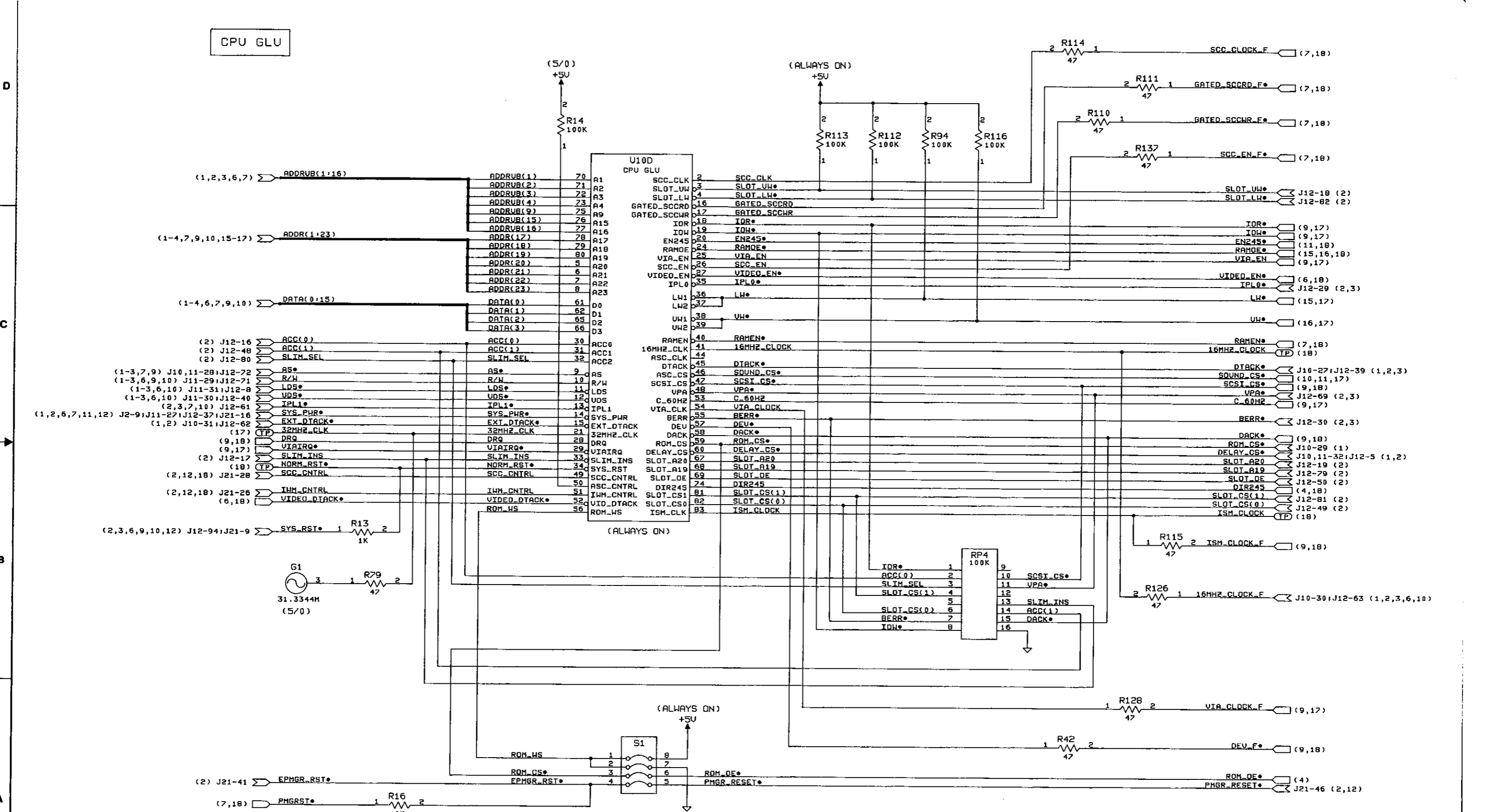
D

C

B

A

4 3 2 1



NOTICE OF PROPRIETARY PROPERTY
 THE INFORMATION CONTAINED HEREIN IS THE PROPRIETARY PROPERTY OF APPLE COMPUTER, INC. THE POSSESSOR AGREES TO THE FOLLOWING:
 (1) TO MAINTAIN THIS DOCUMENT IN CONFIDENCE
 (2) NOT TO REPRODUCE OR COPY IT
 (3) NOT TO REVEAL OR PUBLISH IT IN WHOLE OR PART

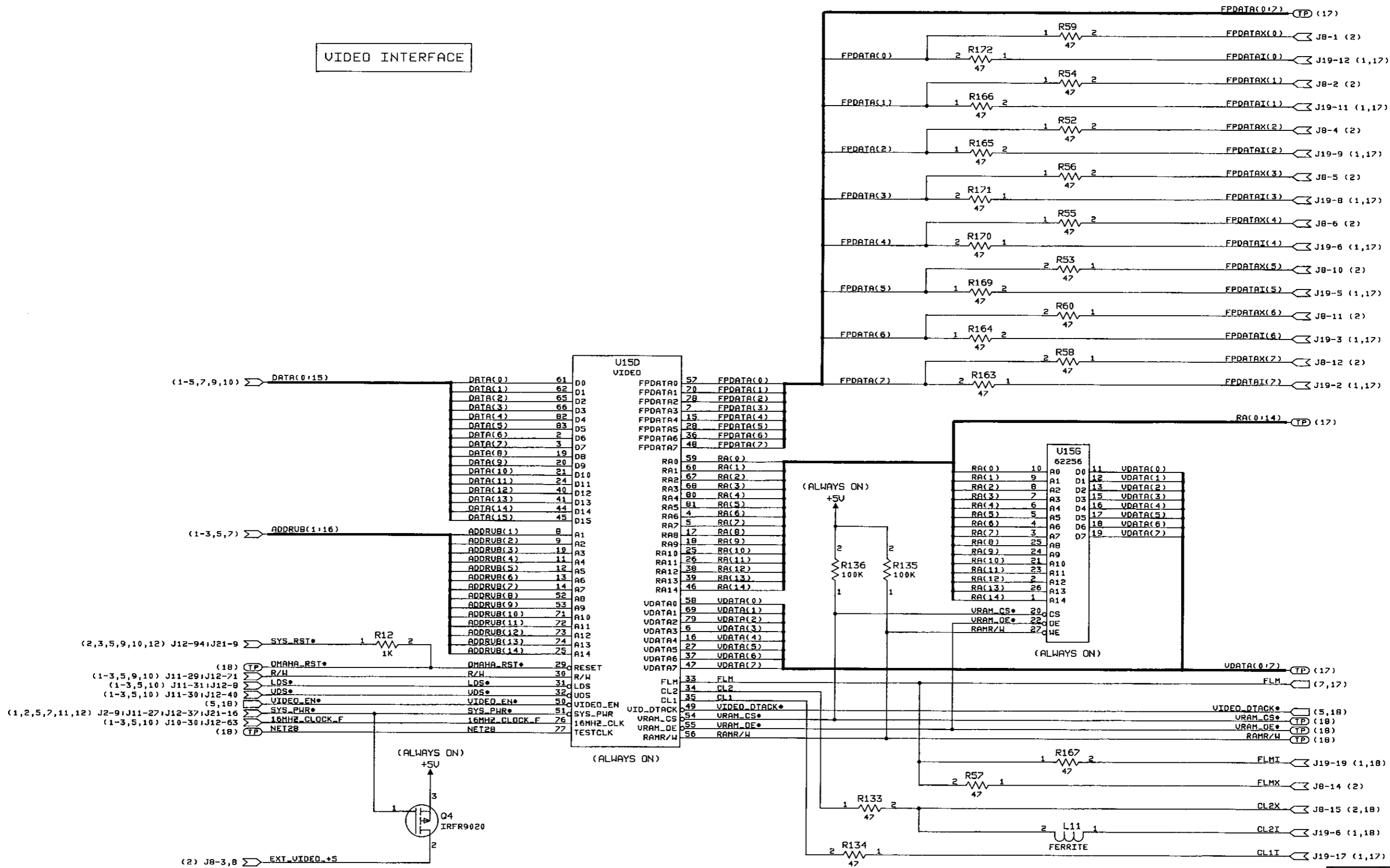
Apple Computer, Inc.

SIZE: DRAWING NUMBER: D 050-0219 REV. C

SCALE: SHEET 5 OF 19

4 3 2 1

VIDEO INTERFACE



NOTICE OF PROPRIETARY PROPERTY
 THIS INFORMATION CONTAINED HEREIN IS THE PROPRIETARY PROPERTY OF APPLE COMPUTER, INC. THE POSSESSOR AGREES TO THE FOLLOWING:
 (1) TO MAINTAIN THIS DOCUMENT IN CONFIDENCE
 (2) NOT TO REPRODUCE OR COPY IT
 (3) NOT TO REVEAL OR PUBLISH IT IN WHOLE OR PART

Apple Computer, Inc.

SIZE	D	DRAWING NUMBER	050-0219	REV.	C
SCALE		SHEET	6	OF	19

SCC & MISC GLU

D

C

B

A

4

3

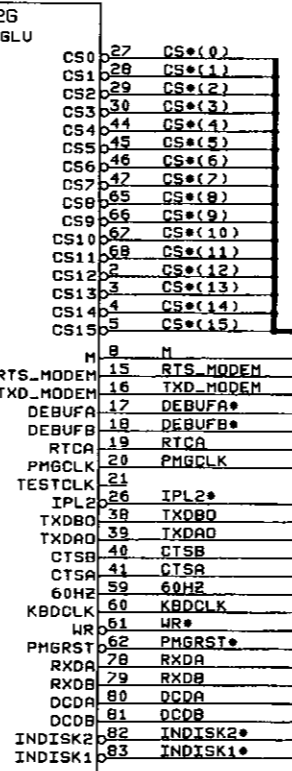
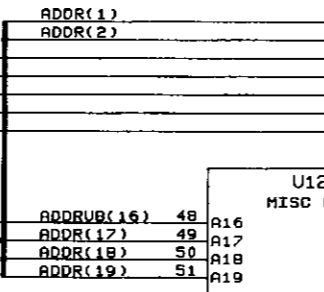
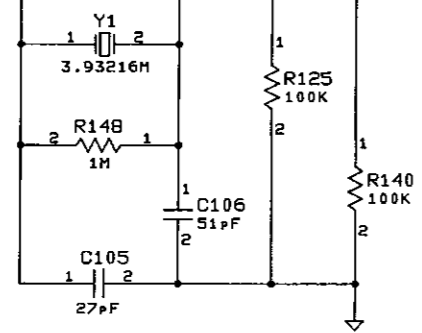
2

1

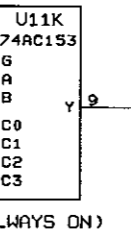
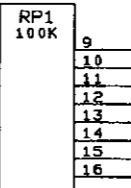
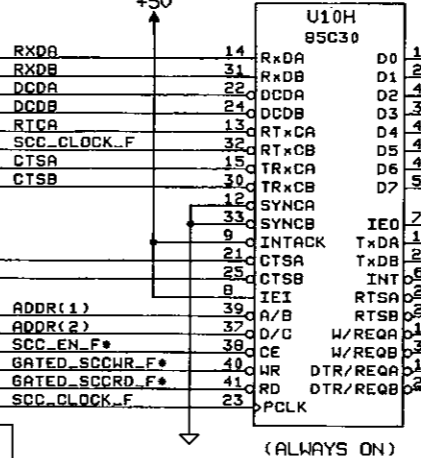
(5,18) SCC_EN_F*
(5,18) GATED_SCCWR_F*
(5,18) GATED_SCCRD_F*

(1-3,5) J10,11-17;J12-78
(1-5,9,10,15-17) ADDRUB(16)
ADDR(1:23)
(1,2,5,6,11,12) J2-9;J11-27;J12-37;J21-16
(1-3,5,9) J10,11-28;J12-72
(5,17) AS*
(5,18) FLM*
(5,18) RAMEN*
(2,12,18) J21-7 RESET*
(8,17) RXDB0
(8,17) RXDAD
(1) J9-5 RXD_MODEM

(2,12,17) J21-10 STOP_CLK
(13,18) KBDSTOP
(2,12,13) J13,20-29;J21-37 FDB
(17) TESTCLK
(17) TESTDATA
(1) J9-4 DCD_MODEM
(12,18) NMII*
(9,17) ENBL1*
(9,18) DRIVE1B*
(5,18) SCC_CLOCK_F
(1,2,12,17) J9-1;J21-24 MODEM_PHR*
(9,18) MODEM*
(2,12,17) J21-31 MODEM_A/B
(9,18) WR
(17) RTSA
(17) RTSB
(18) TXDA
(18) TXDB
(8,17) GPIA*
(8,17) GPIB*
(8,17) HSKIB_R
(8,17) HSKIB_L
(8,17) HSKIA_R
(1) J9-6 CTS_MODEM



(ALWAYS ON)
+5V



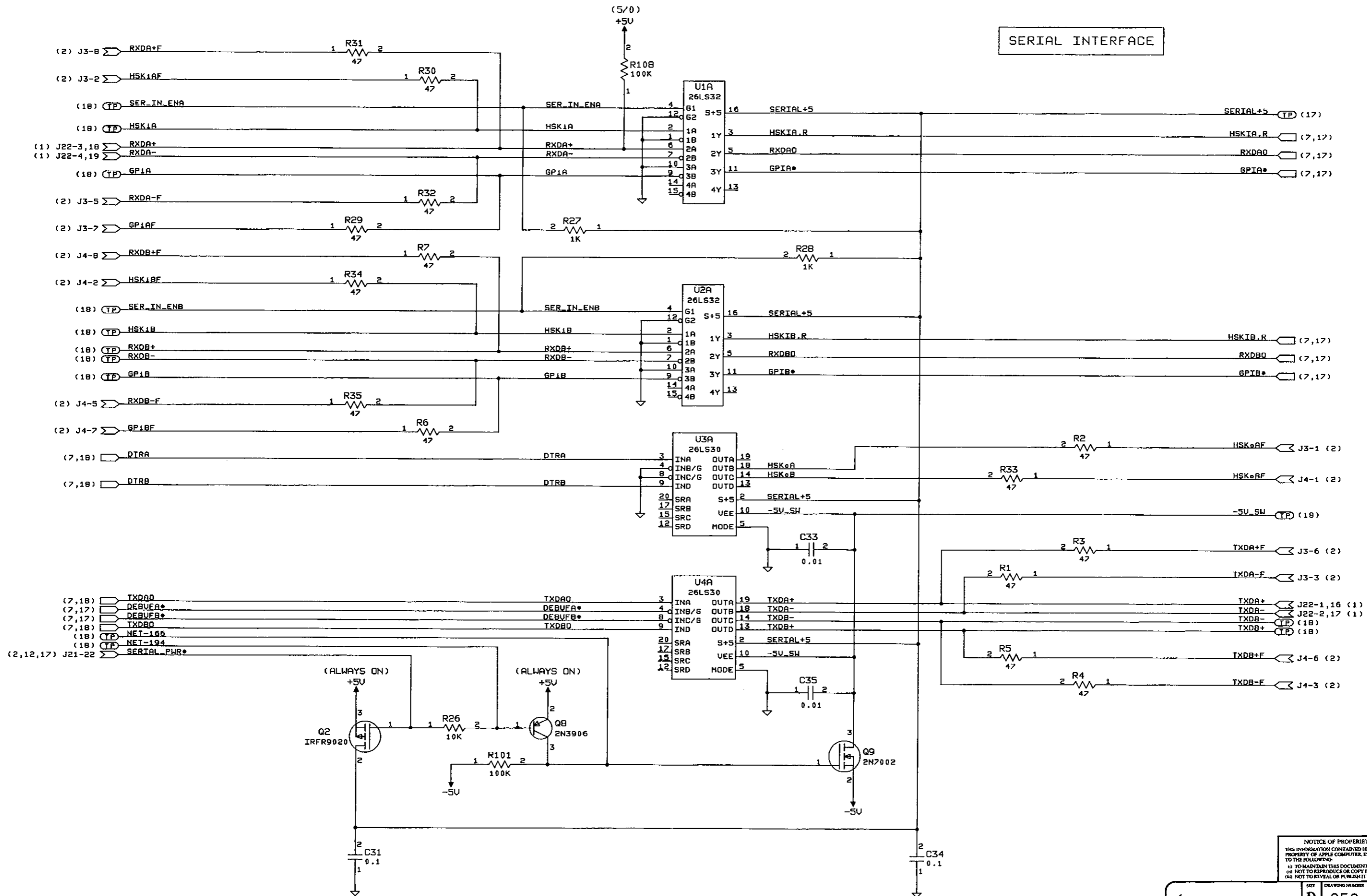
DATA(0:15) (1-6,9,10)
IPL1* J12-61 (2,3,5,10)
SCCH/REQ* (9,10)
DTRA (8,18)
DTRB (8,18)

CS*(0:15) (15,16,17)
M J19-20 (1,17)
RTS_MODEM J9-3 (1)
TXD_MODEM J9-8 (1)
DEBUFA* (8,17)
DEBUFB* (8,17)
RTCA (TP) (17)
PMGCLK (TP) (18)
IPL2* J12-93 (2,3)
TXDB0 (8,18)
TXDAD (8,18)
CTSB (TP) (18)
CTS* (TP) (18)
60HZ J21-5 (2,12,17)
WR* (TP) (17)
PMGRST* (5,18)
RXDA (TP) (17)
RXDB (TP) (17)
DCDA (TP) (18)
DCDB (TP) (18)
INDISK2* J15-14 (1)
INDISK1* J14-14 (1)

PHGCLK_F J21-39 (2,12,18)
KBDCLK_F (13,18)
WRDATA J14,15-18 (7)
HRX* J7-19 (1)
DTR_MODEM J9-12 (1)

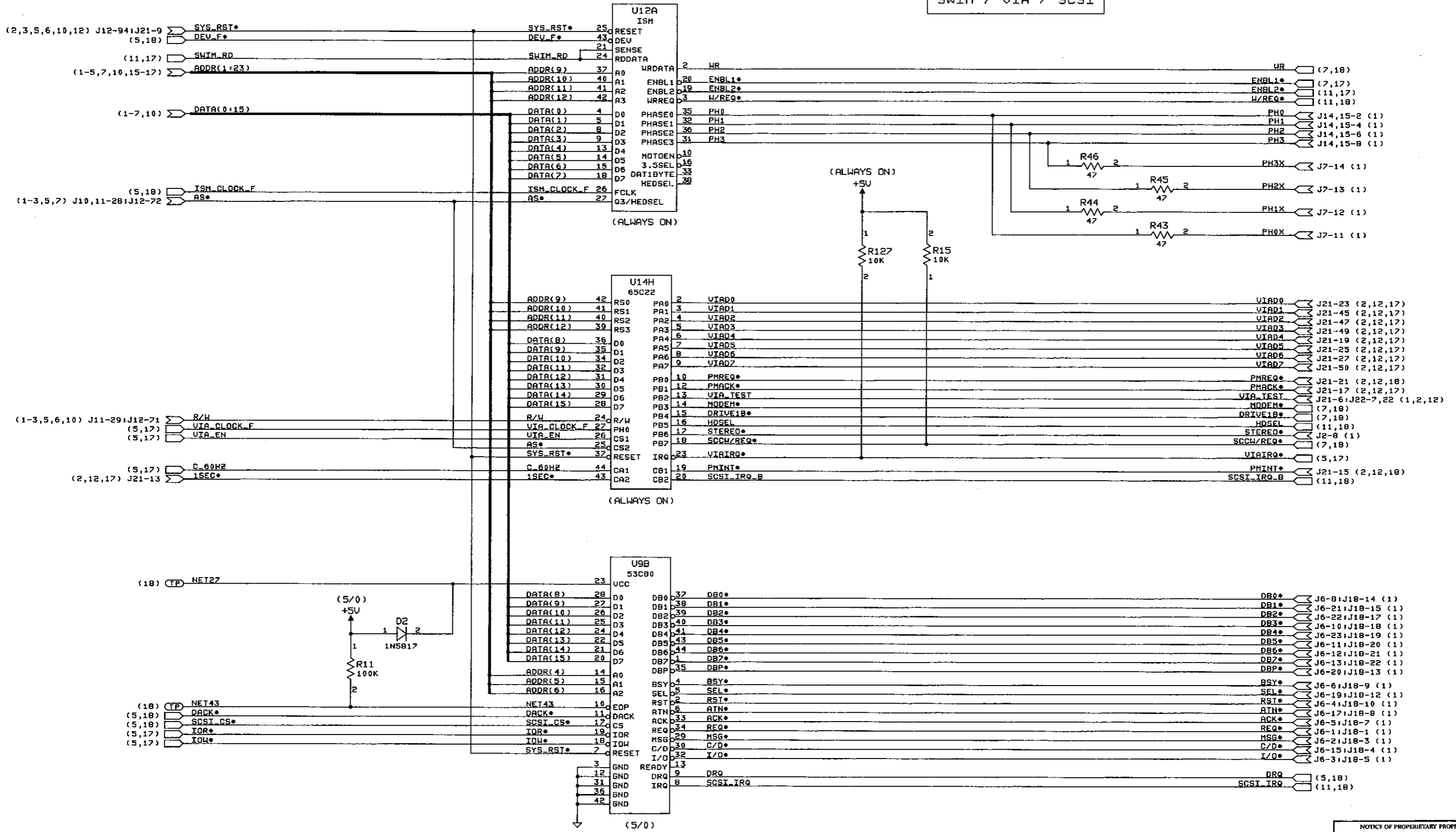
NOTICE OF PROPRIETARY PROPERTY
THE INFORMATION CONTAINED HEREIN IS THE PROPRIETARY PROPERTY OF APPLE COMPUTER, INC. THE POSSESSOR AGREES TO THE FOLLOWING:
(1) TO MAINTAIN THIS DOCUMENT IN CONFIDENCE
(2) NOT TO REPRODUCE OR COPY IT
(3) NOT TO REVEAL OR PUBLISH IT IN WHOLE OR PART

SERIAL INTERFACE



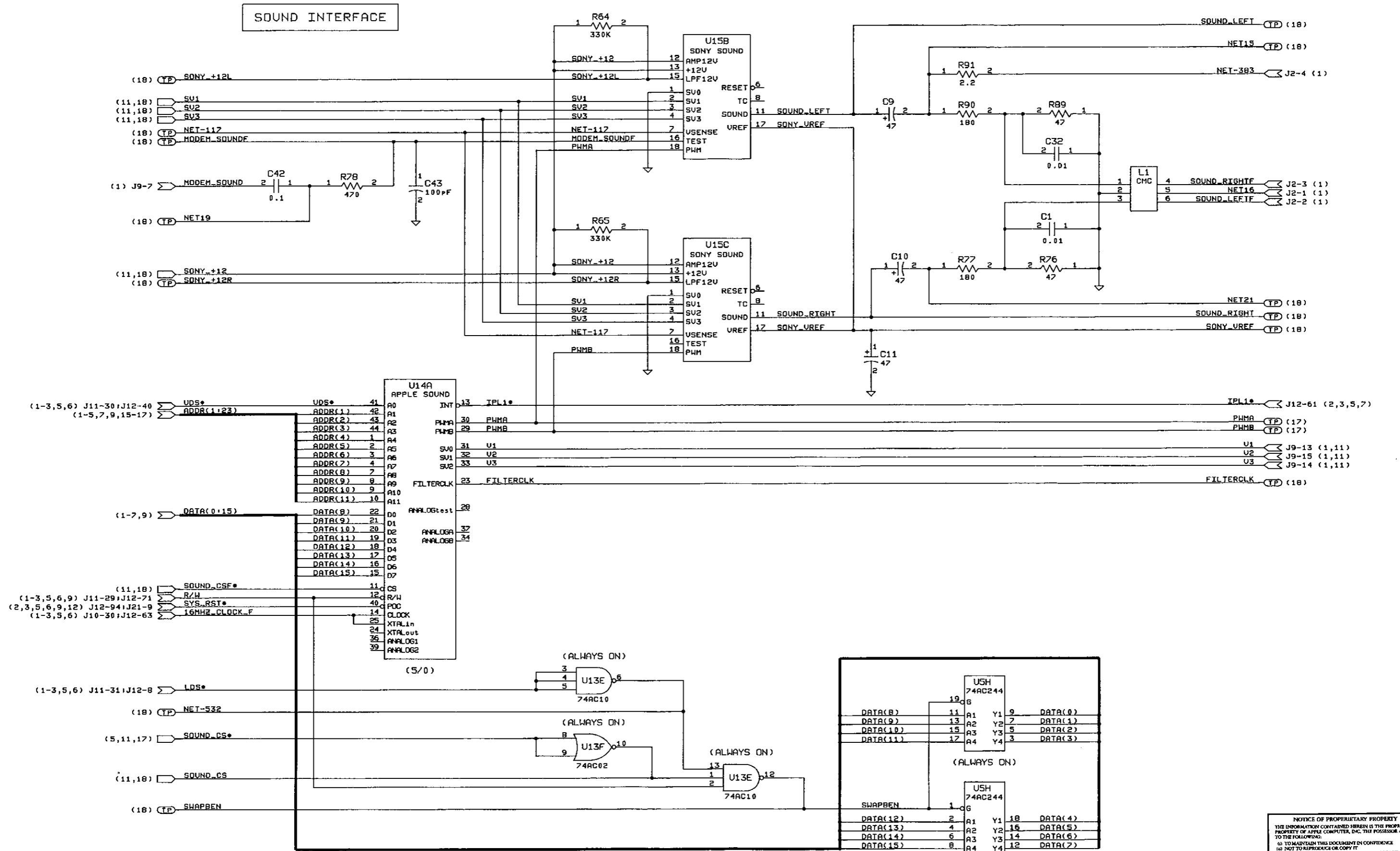
NOTICE OF PROPRIETARY PROPERTY
 THE INFORMATION CONTAINED HEREIN IS THE PROPRIETARY PROPERTY OF APPLE COMPUTER, INC. THE POSSESSOR AGREES TO THE FOLLOWING:
 (1) TO MAINTAIN THIS DOCUMENT IN CONFIDENCE
 (2) NOT TO REPRODUCE OR COPY IT
 (3) NOT TO REVEAL OR PRESENT IT IN WHOLE OR PART

SWIM / VIA / SCSI



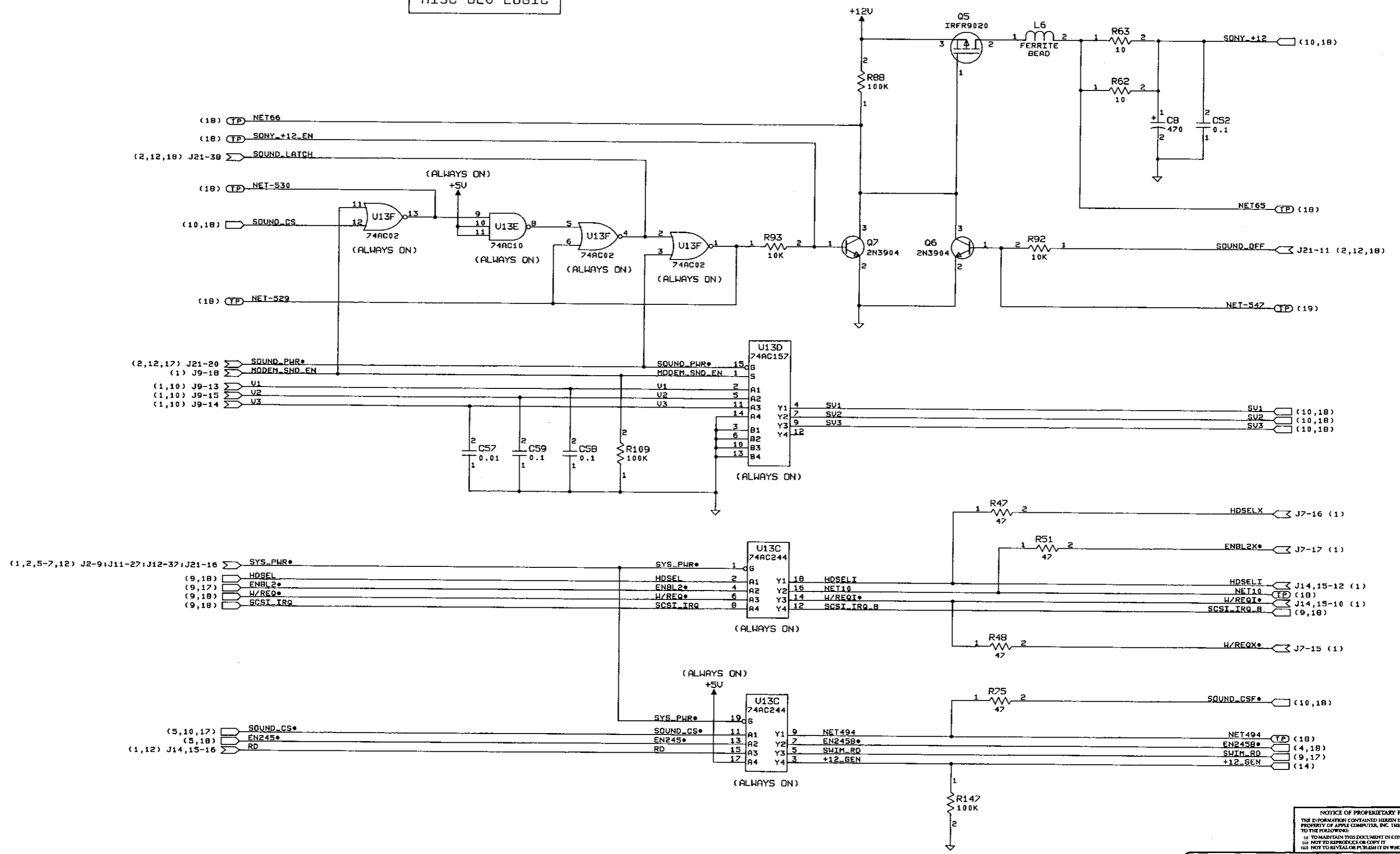
NOTICE OF PROPRIETARY PROPERTY
 THE INFORMATION CONTAINED HEREIN IS THE PROPRIETARY PROPERTY OF APPLE COMPUTER, INC. THE POSSESSOR AGREES TO THE FOLLOWING:
 (a) TO MAINTAIN THIS DOCUMENT IN CONFIDENCE
 (b) NOT TO REPRODUCE OR COPY IT
 (c) NOT TO REVEAL OR PUBLISH IT IN WHOLE OR PART

SOUND INTERFACE



NOTICE OF PROPRIETARY PROPERTY
 THE INFORMATION CONTAINED HEREIN IS THE PROPRIETARY PROPERTY OF APPLE COMPUTER, INC. THE POSSESSOR AGREES TO THE FOLLOWING:
 (1) TO MAINTAIN THIS DOCUMENT IN CONFIDENCE
 (2) NOT TO REPRODUCE OR COPY IT
 (3) NOT TO REVEAL OR PUBLISH IT IN WHOLE OR PART

MISC GLU LOGIC



NOTICE OF PROPRIETARY PROPERTY
 THE INFORMATION CONTAINED HEREIN IS THE PROPRIETARY PROPERTY OF APPLE COMPUTER, INC. THE POSSESSOR AGREES TO THE FOLLOWING:
 (1) TO MAINTAIN THIS DOCUMENT IN CONFIDENCE
 (2) NOT TO REPRODUCE OR COPY IT
 (3) NOT TO REVEAL OR PUBLISH IT IN WHOLE OR PART

Apple Computer, Inc.

SIZE	DRAWING NUMBER	REV.
D	050-0219	C
SCALE	SEE SHEET	SHEET 11 OF 19

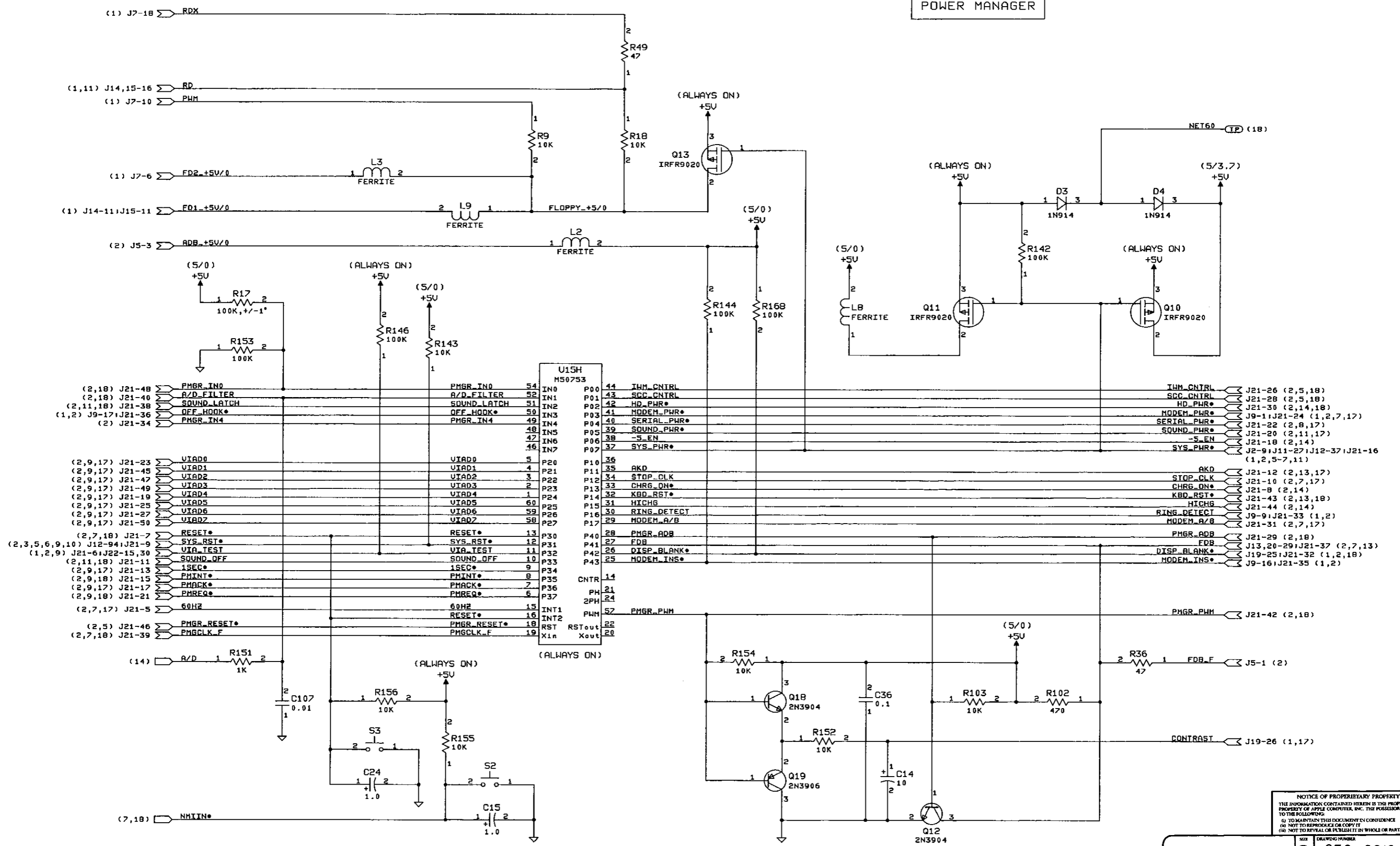
POWER MANAGER

D

C

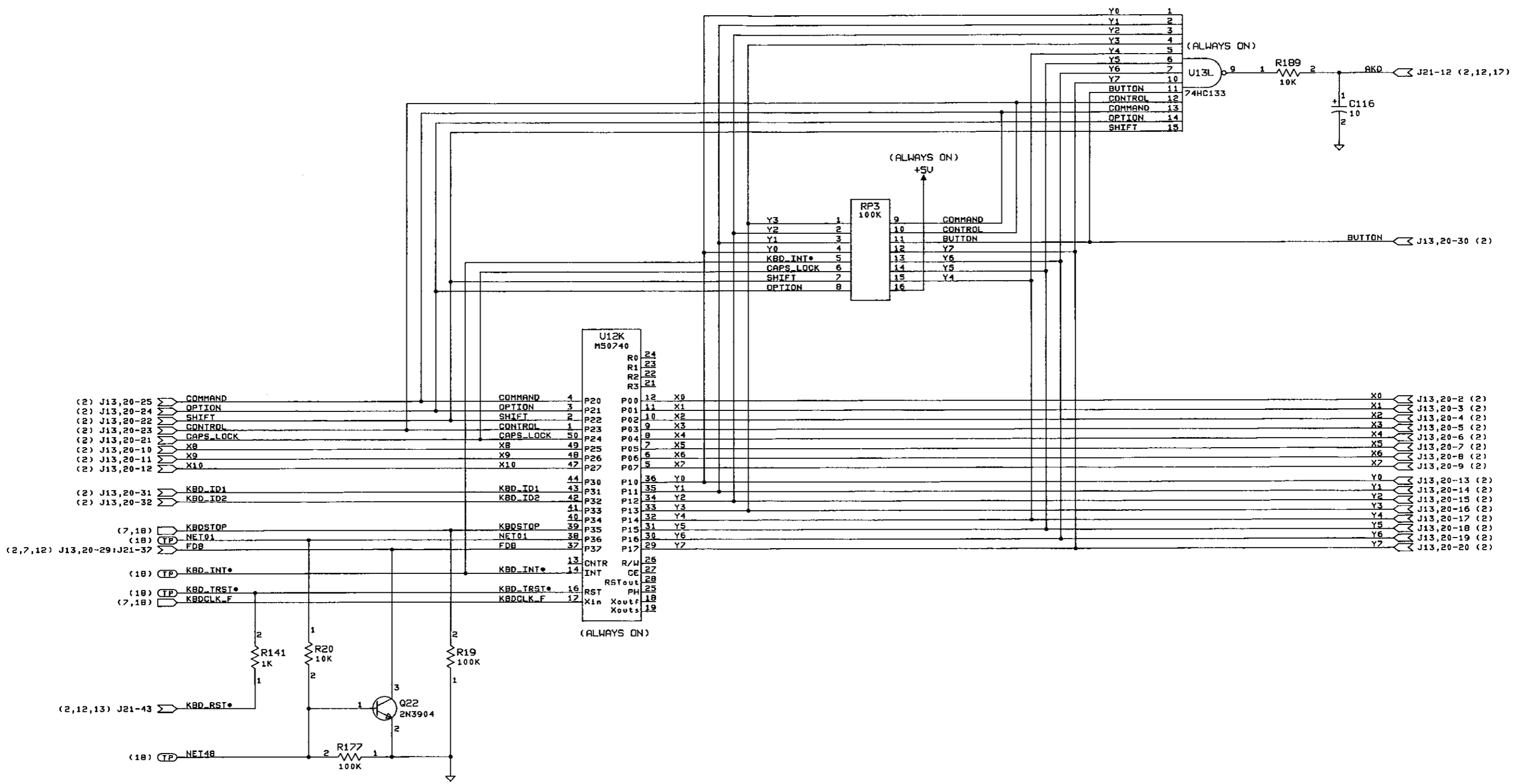
B

A



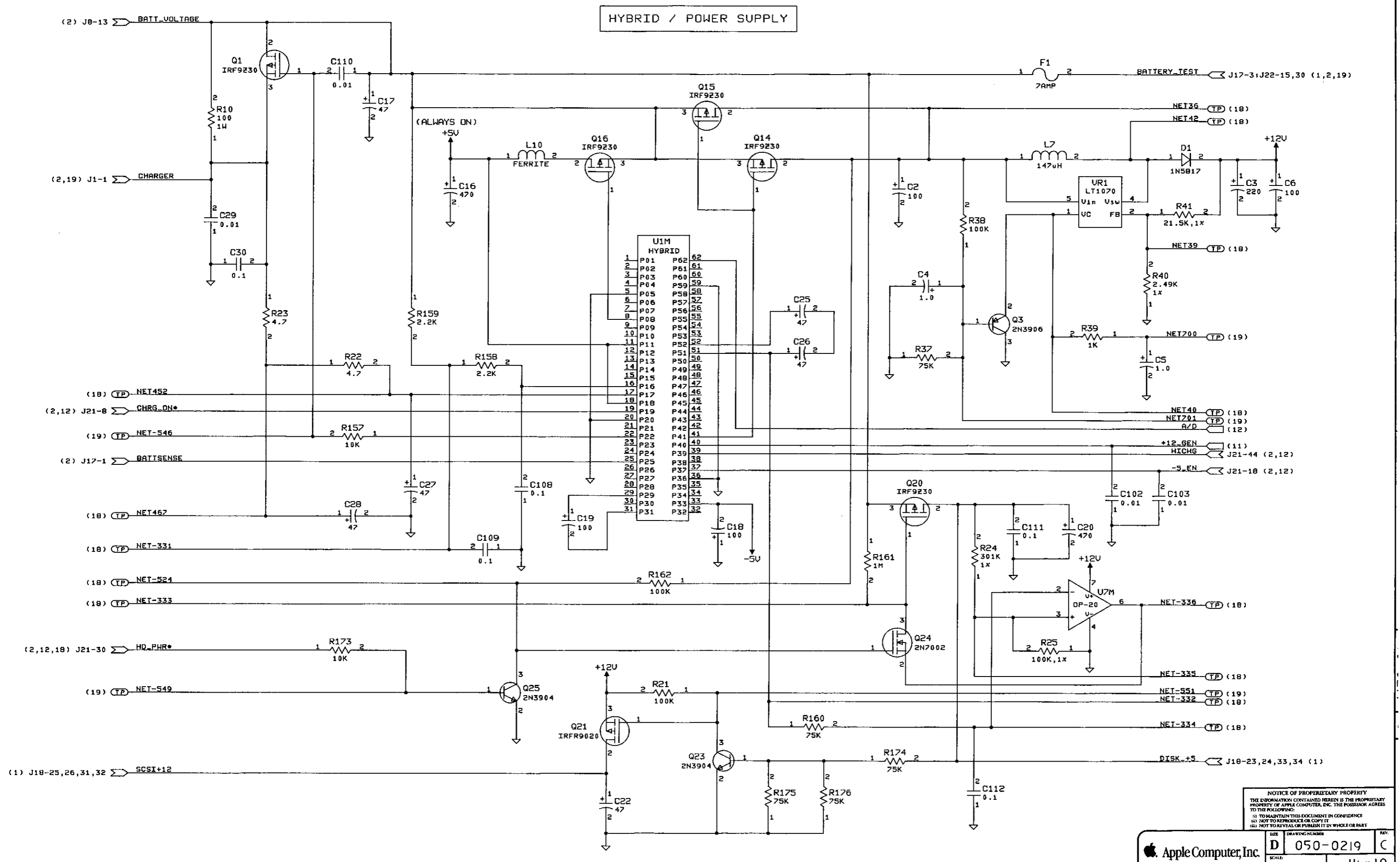
NOTICE OF PROPRIETARY PROPERTY
 THE INFORMATION CONTAINED HEREIN IS THE PROPRIETARY PROPERTY OF APPLE COMPUTER, INC. THE POSSESSOR AGREES TO THE FOLLOWING:
 (a) TO MAINTAIN THIS DOCUMENT IN CONFIDENCE
 (b) NOT TO REPRODUCE OR COPY IT
 (c) NOT TO REVEAL OR PUBLISH IT IN WHOLE OR PART

KEYBOARD INTERFACE



NOTICE OF PROPRIETARY PROPERTY
 THE INFORMATION CONTAINED HEREIN IS THE PROPRIETARY
 PROPERTY OF APPLE COMPUTER, INC. THE POSSESSOR AGREES
 TO THE FOLLOWING:
 (1) TO MAINTAIN THIS DOCUMENT IN CONFIDENCE
 (2) NOT TO REPRODUCE OR COPY IT
 (3) NOT TO REVEAL OR PUBLISH IT IN WHOLE OR PART

HYBRID / POWER SUPPLY

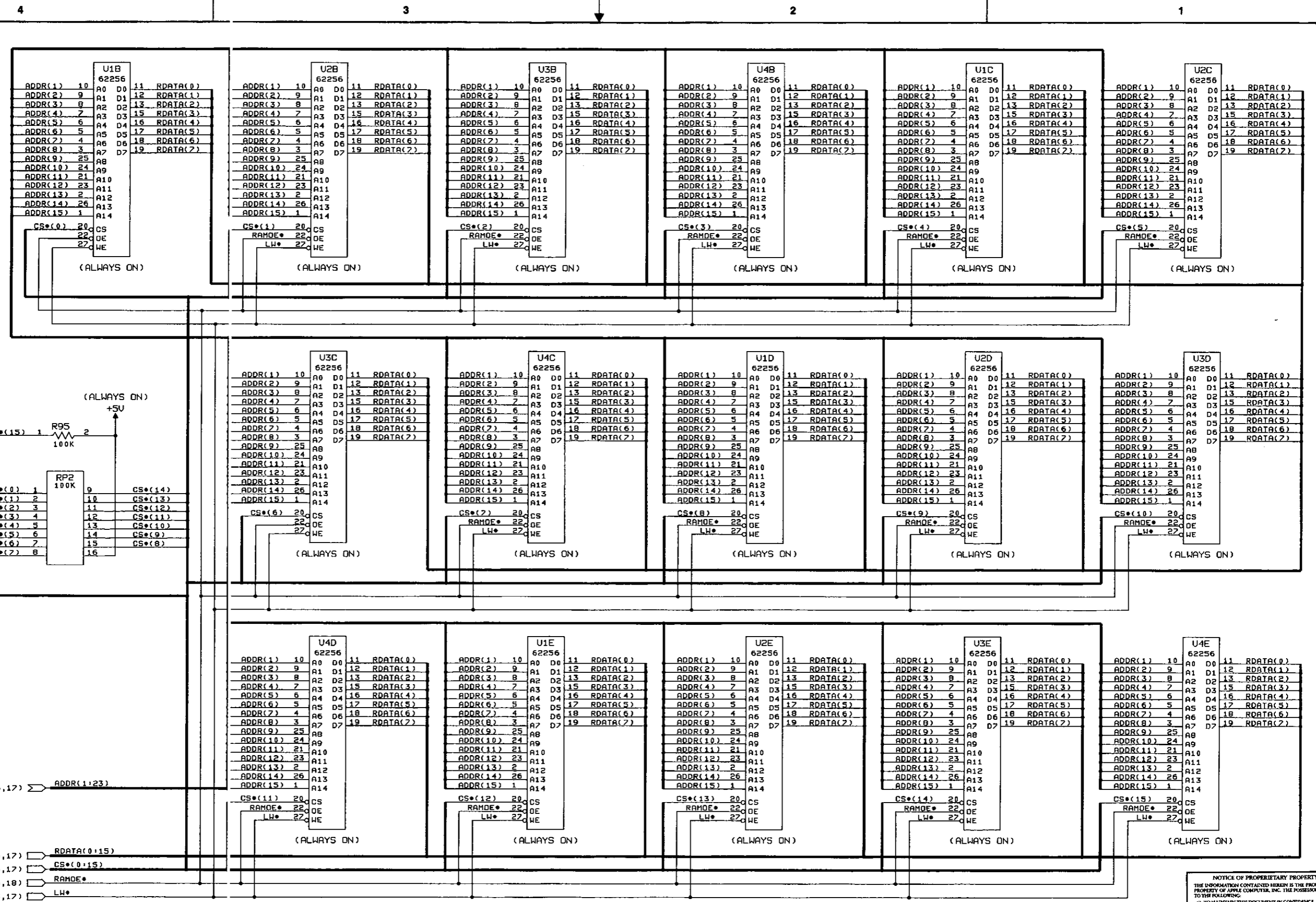


NOTICE OF PROPRIETARY PROPERTY
 THE INFORMATION CONTAINED HEREIN IS THE PROPRIETARY PROPERTY OF APPLE COMPUTER, INC. THE POSSESSOR AGREES TO THE FOLLOWING:
 (1) TO MAINTAIN THIS DOCUMENT IN CONFIDENCE
 (2) NOT TO REPRODUCE OR COPY IT
 (3) NOT TO REVEAL OR PUBLISH IT IN WHOLE OR PART

Apple Computer, Inc.

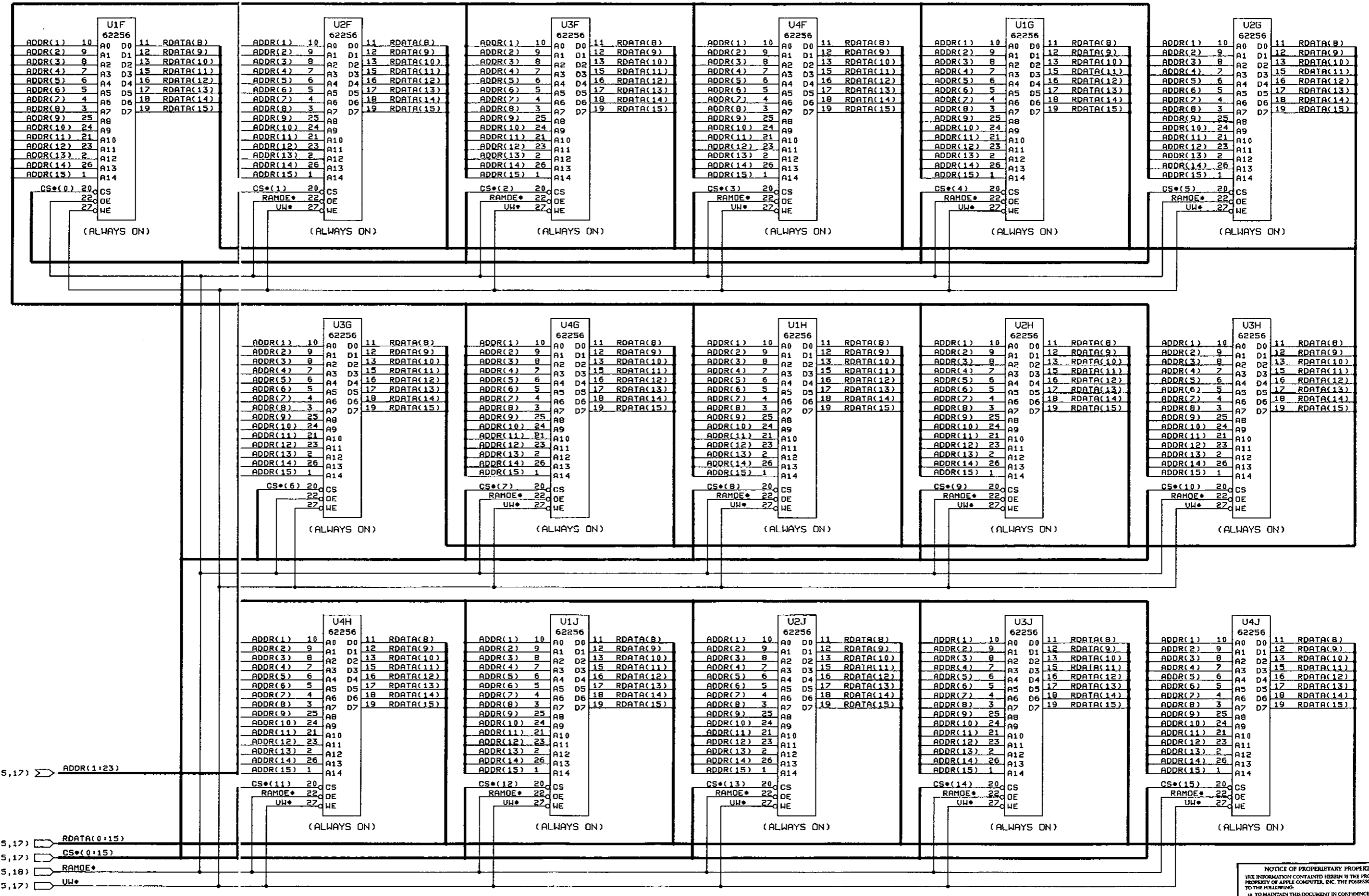
SIZE	D	DRAWING NUMBER	050-0219	REV.	C
SCALE	SEE PART	SHEET	14	OF	19

RAM - LOWER BYTE



NOTICE OF PROPRIETARY PROPERTY
 THE INFORMATION CONTAINED HEREIN IS THE PROPRIETARY PROPERTY OF APPLE COMPUTER, INC. THE POSSESSOR AGREES TO THE FOLLOWING:
 (1) TO MAINTAIN THIS DOCUMENT IN CONFIDENCE
 (2) NOT TO REPRODUCE OR COPY IT
 (3) NOT TO REVEAL OR PUBLISH IT IN WHOLE OR PART

RAM - UPPER BYTE

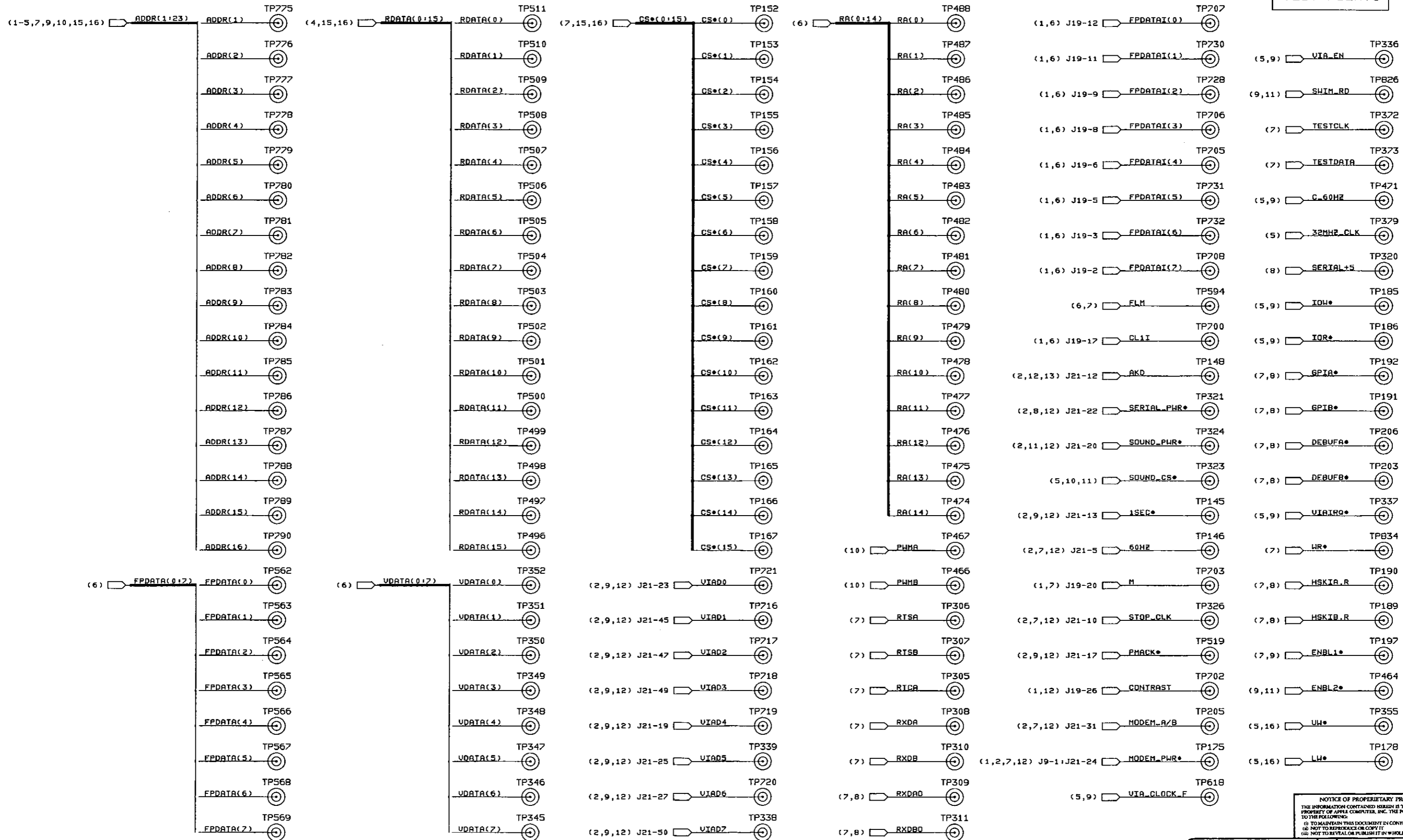


(1-5,7,9,10,15,17) ADDR(1:23)

(4,15,17) RDATA(0:15)
 (7,15,17) CS*(0:15)
 (5,15,18) RAMOE*
 (5,17) UH*

NOTICE OF PROPRIETARY PROPERTY
 THE INFORMATION CONTAINED HEREIN IS THE PROPRIETARY PROPERTY OF APPLE COMPUTER, INC. THE POSSESSOR AGREES TO THE FOLLOWING:
 (a) TO MAINTAIN THIS DOCUMENT IN CONFIDENCE
 (b) NOT TO REPRODUCE OR COPY IT
 (c) NOT TO REVEAL OR PUBLISH IT IN WHOLE OR PART

TEST POINTS



NOTICE OF PROPRIETARY PROPERTY
 THE INFORMATION CONTAINED HEREIN IS THE PROPRIETARY PROPERTY OF APPLE COMPUTER, INC. THE POSSESSOR AGREES TO THE FOLLOWING:
 (1) TO MAINTAIN THIS DOCUMENT IN CONFIDENCE
 (2) NOT TO REPRODUCE OR COPY IT
 (3) NOT TO RESELL OR PURSUE IT IN WHOLE OR PART

TEST POINTS

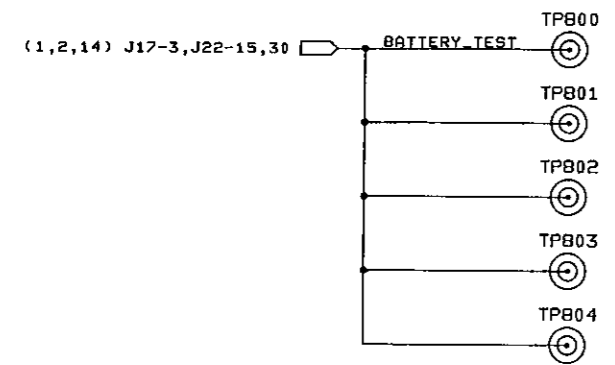
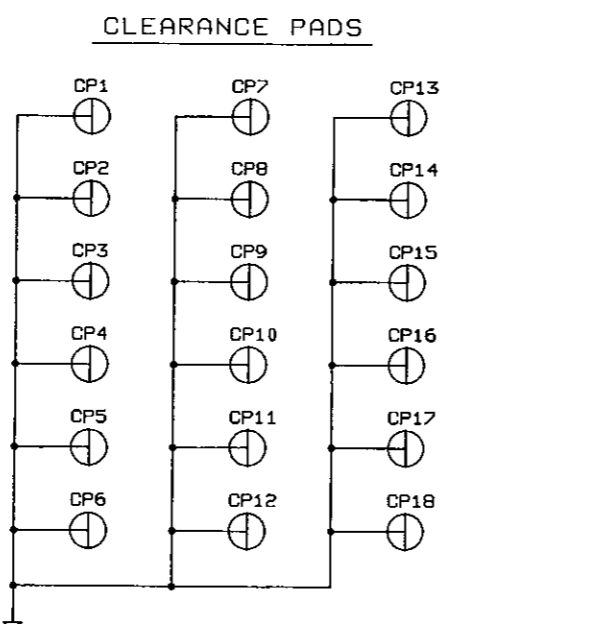
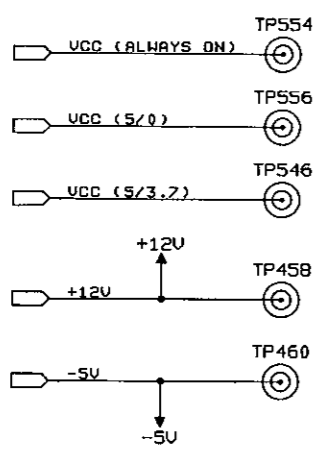
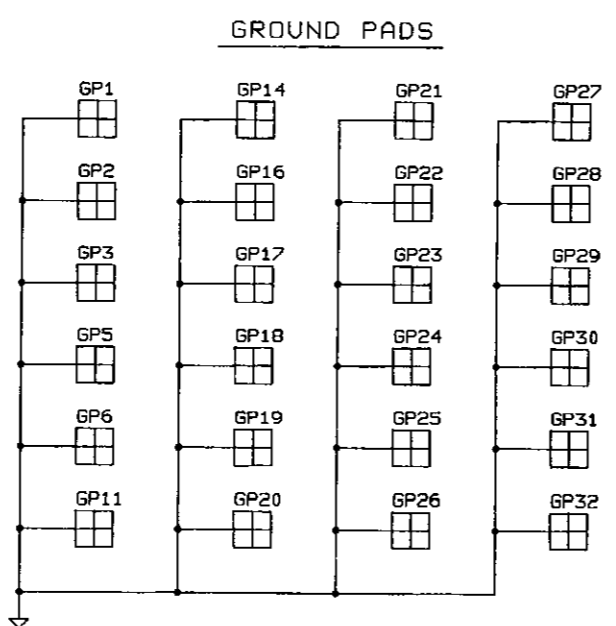
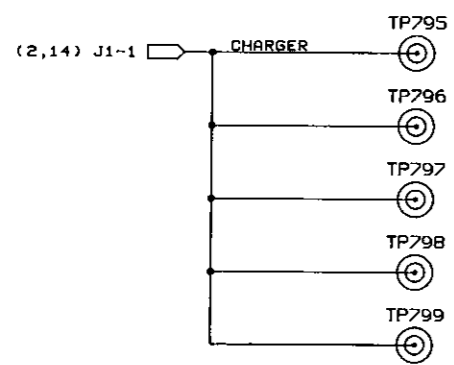
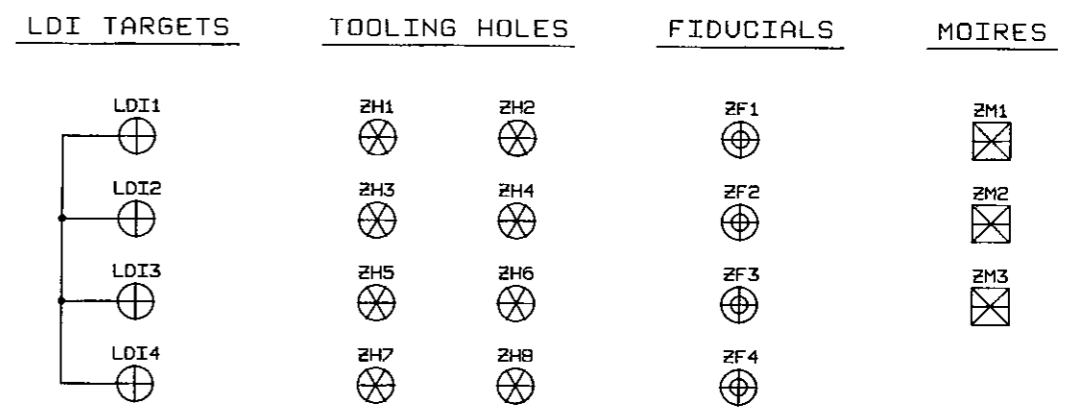
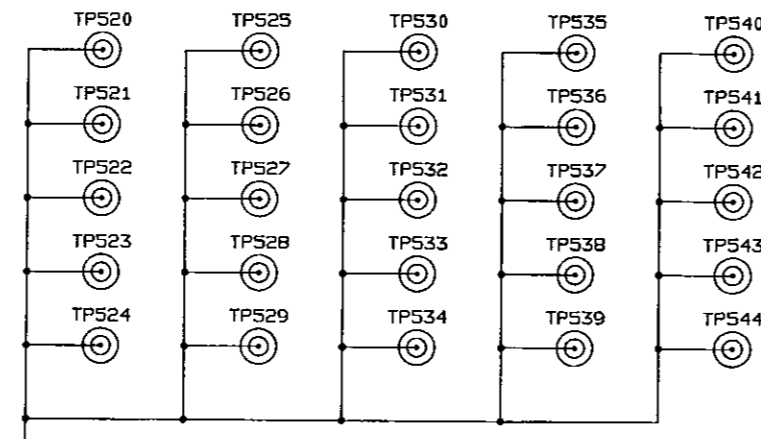
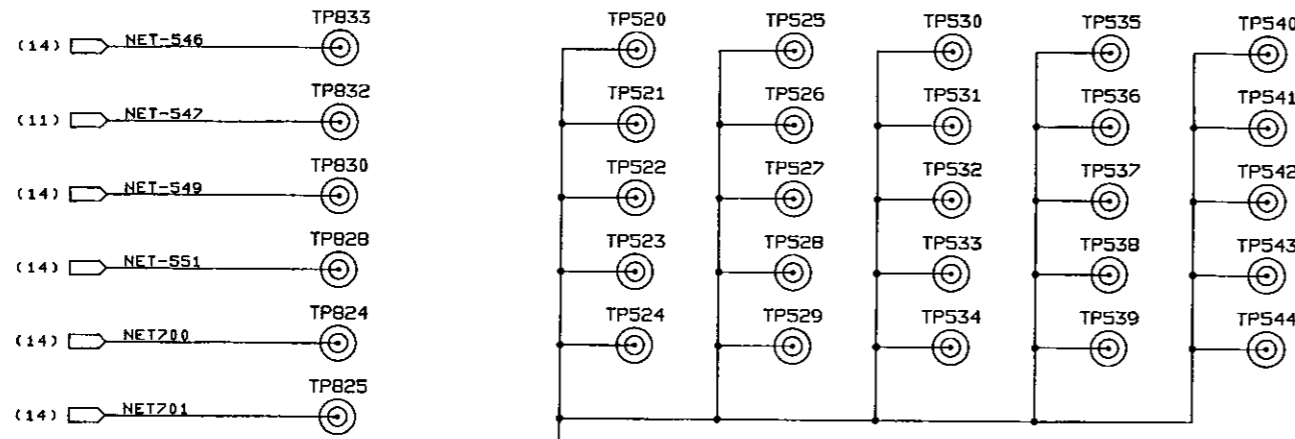


NOTICE OF PROPRIETARY PROPERTY
 THE INFORMATION CONTAINED HEREIN IS THE PROPRIETARY PROPERTY OF APPLE COMPUTER, INC. THE POSSESSOR AGREES TO THE FOLLOWING:
 (1) TO MAINTAIN THIS DOCUMENT IN CONFIDENCE.
 (2) NOT TO REPRODUCE OR COPY IT.
 (3) NOT TO REVEAL OR DISSEMINATE IT IN WHOLE OR PART.

Apple Computer, Inc.

SIZE	DRAWING NUMBER	REV.
D	050-0219	C
SCALE	SEE SHT.	SHT 18 OF 19

TEST POINTS, PADS & HOLES (PCB ONLY), CHARTS

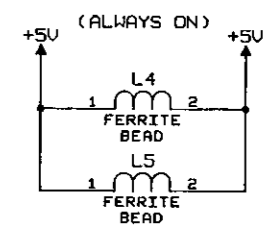


POWER & GROUND DISTRIBUTION

I.C.'s	POWER	GROUND	NO CONNECT
U5D, U5E, U5H, U11C, U12C, U13C	20	10	
U11K, U13D, U13L	16	8	
U1A, U2A		8	
U13E, U13F	14	7	
U15G	28	14	
U5F, U5G	1,32	16	30
U12K	46	15,20,45	
U3A, U4A		7	1,6,11,16
U10H	10	35	17,18,28,36
U14H	21	1	11,22,33,38
U12D	14,52	16,17,56,57	
U14A	6,26,35	5,27,38	
U15B, U15C		9,10	5,14
U15H	45,55,56	17,23,53	
U10D, U15D, U12G	23,42,64,84	1,22,43,63	
U12A	11,22,30,44	1,12,23,34	6,7,17,28,29,39
U1B, U2B, U3B, U4B U1C, U2C, U3C, U4C U1D, U2D, U3D, U4D U1E, U2E, U3E, U4E U1F, U2F, U3F, U4F U1G, U2G, U3G, U4G U1H, U2H, U3H, U4H U1J, U2J, U3J, U4J	28	14	

REFERENCE DESIGNATIONS

LAST USED	NOT USED
C116, D4, F1, G1, J22, L11, Q25, R189, RP4, S3, UR1, Y1	C114,115 R61,66,178-188



PLACE CLOSE TO VCC ON SWIM CHIP - U12A

NOTICE OF PROPRIETARY PROPERTY
THE INFORMATION CONTAINED HEREIN IS THE PROPRIETARY PROPERTY OF APPLE COMPUTER, INC. THE POSSESSOR AGREES TO THE FOLLOWING:
(a) TO MAINTAIN THIS DOCUMENT IN CONFIDENCE
(b) NOT TO REPRODUCE OR COPY IT
(c) NOT TO REVEAL OR PUBLISH IT IN WHOLE OR PART