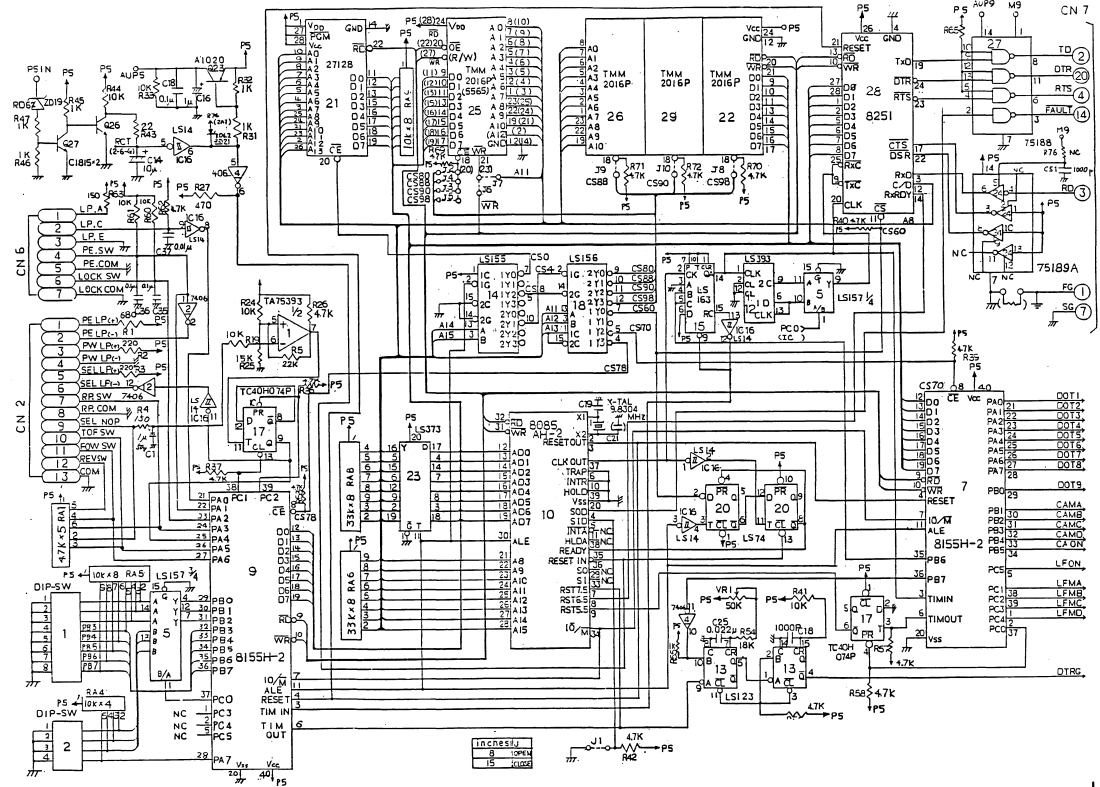


NOTE: UNLESS OTHERWISE SPECIFIED

REV: 004 INITIAL RELEASE



1 ADDRESS  
2 B 10PK4  
3 15 100K

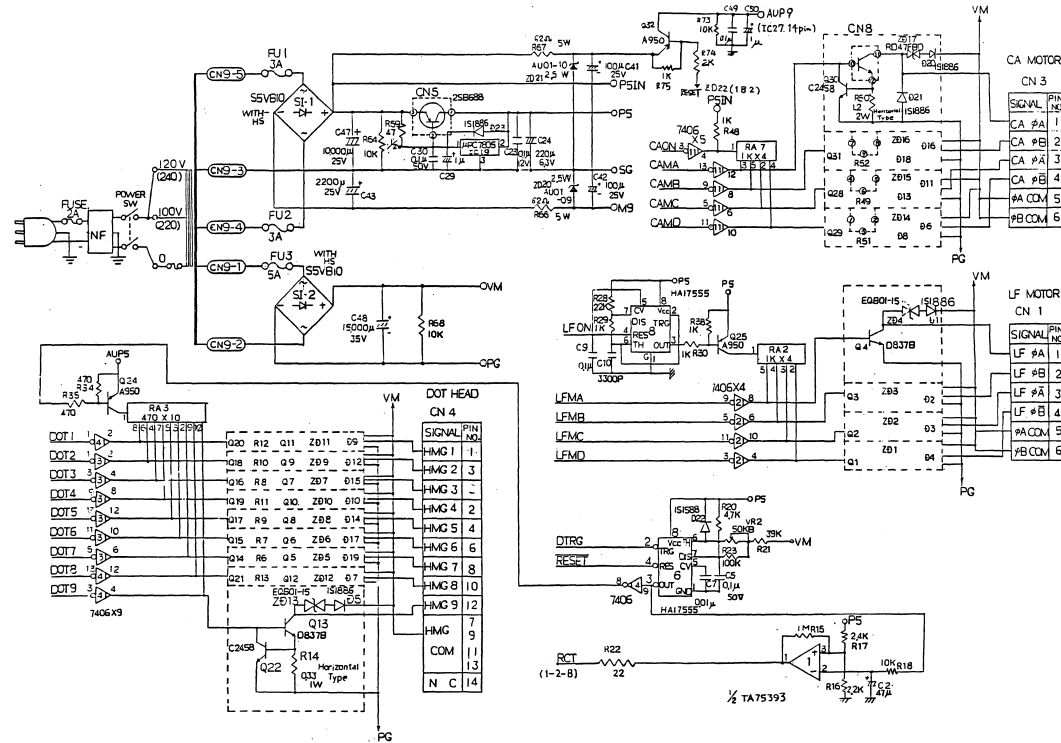
THIRD ANGLE PROJECTION  
DO NOT SCALE DRAWING

ITEM	QTY	PART NUMBER	DESCRIPTION
TOLERANCES UNLESS OTHERWISE SPECIFIED DIMENSIONS ARE IN INCHES			 <b>TITLE</b> SCHEMATIC, MAIN LOGIC BOARD, II+GENWATER <b>DRAWING NUMBER</b> D 090-0087-A <b>SCALE</b> NONE <b>SHEET</b> 1 OF 2
DECIMALS	XX.X	APPROVED BY	
ANGLES	XX.X°	RELEASED BY	
FRACTIONS	XX/X		
DIMENSIONS IN PARENTHESES ARE MINIMUMS			
MATERIAL			
NEXT ASSY			

2 JO. 1 IRS  
 V-600-056  
 1 50-2010-016

NOTE: UNLESS OTHERWISE SPECIFIED

REV	ZONE	ECO	REVISION	APP	DATE
1			SEE SHEET 1		



ITEM	QTY	PART NUMBER	DESCRIPTION
TOLERANCES UNLESS OTHERWISE SPECIFIED (DIMENSIONS ARE IN INCHES)			
DECIMALS	.X		
FRACTIONS	XXX		
ANGLES	XXX		
DIMENSIONS IN PARENTHESES ARE IN MILLIMETERS			
MATERIAL:			
NEXT ASSY:			
FINISH:			

DRAWN BY		DATE
CHECKED BY		DATE
APPROVED BY		DATE
RELEASED BY		DATE
DRAWING NUMBER		
D 050-0089-A		
SCALE		SHEET 2 OF 2

THIRD ANGLE PROJECTION  
DO NOT SCALE DRAWING

20-2-11-1800-059