



## ADB Devices

---

Keyboards  
Mouse Devices





Take Apart  

---

ADB Devices



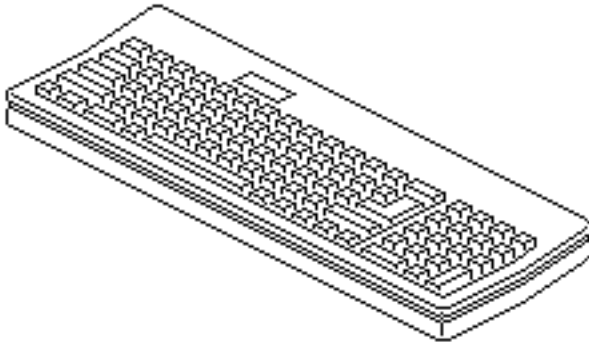


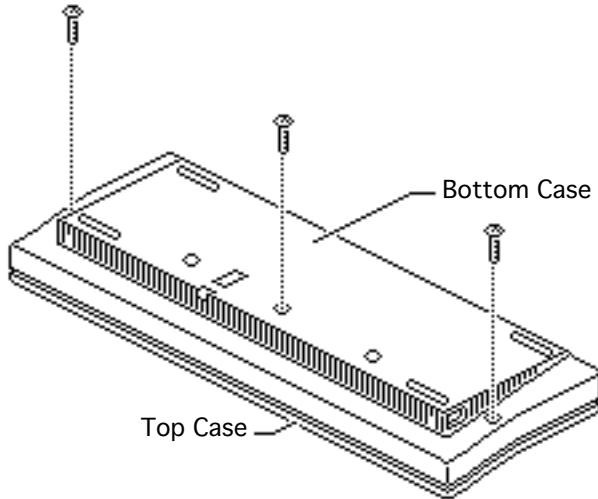
## Keyboard

No preliminary steps are required before you begin this procedure.

**Note:** To remove and replace keyswitches, refer to “Keyswitch Replacement” in Additional Procedures.

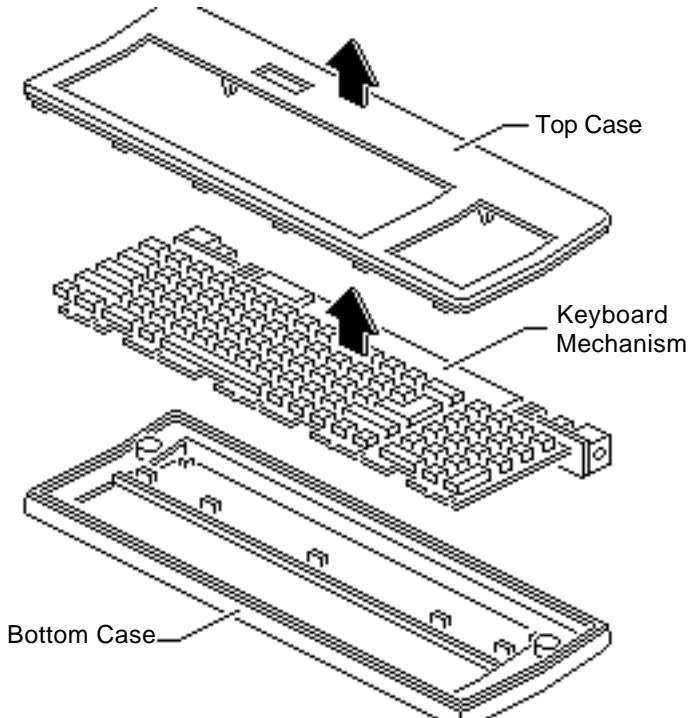
**Caution:** Review the ESD precautions in Bulletins/ Safety.





- 1 Disconnect the keyboard from the computer and disconnect the ADB cable and mouse from the keyboard.
- 2 Remove the three screws from the bottom of the keyboard.





- 3 Lift off the top case.
- 4 Lift out the keyboard mechanism.

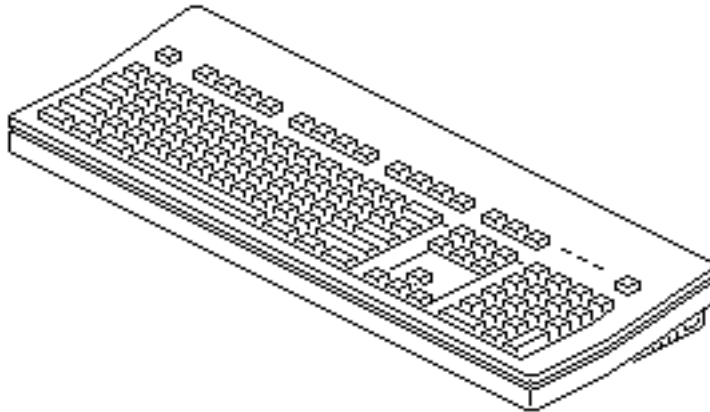
**Replacment Note:**

Reassembly of the keyboard is easier with the components facing up rather than down.





## Extended Keyboard

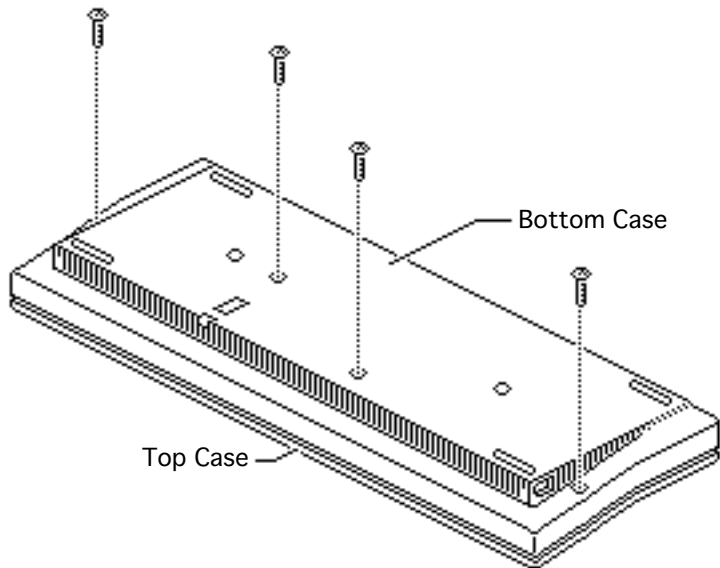


No preliminary steps are required before you begin this procedure.

**Note:** To remove and replace keyswitches, refer to “Keyswitch Replacement” in Additional Procedures.

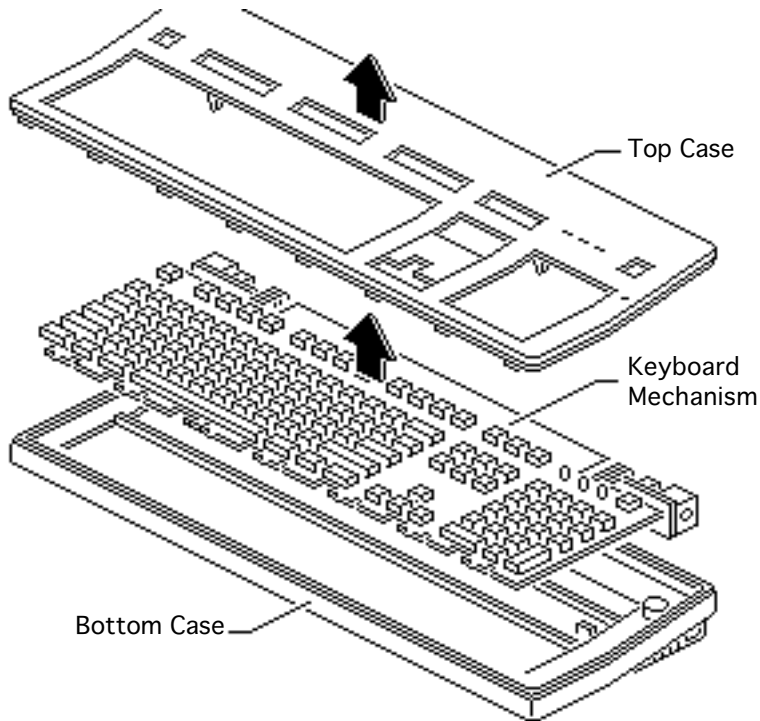
**Caution:** Review the ESD precautions in Bulletins/ Safety.





- 1 Disconnect the keyboard from the computer and disconnect the ADB cable and mouse from the keyboard.
- 2 Remove the four screws from the bottom of the keyboard.





- 3 Lift off the top case.
- 4 Lift out the keyboard mechanism.

**Replacement Note:**

Reassembly of the keyboard is easier with the components facing up rather than down.





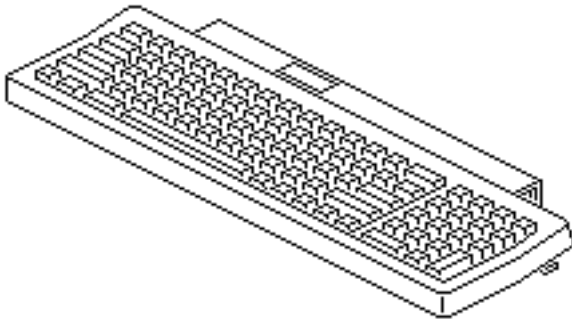


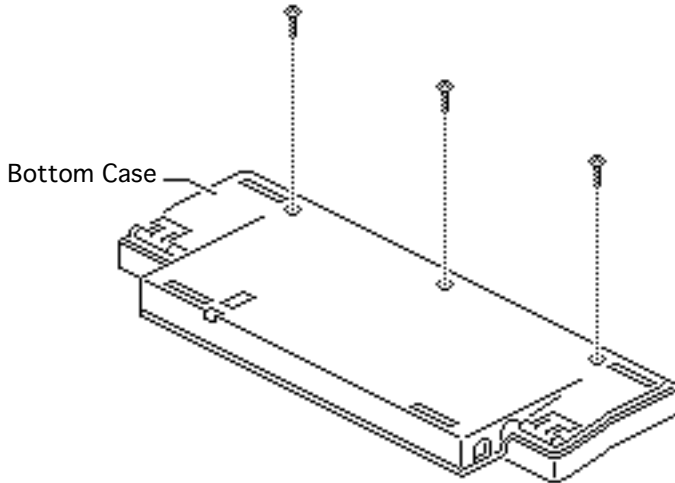
## Keyboard II

No preliminary steps are required before you begin this procedure.

**Note:** If you are exchanging the Apple Keyboard II, do not remove the keyboard mechanism; return the entire keyboard to Apple (without the cable).

**Note:** To remove and replace keyswitches, refer to “Keyswitch Replacement” in Additional Procedures.

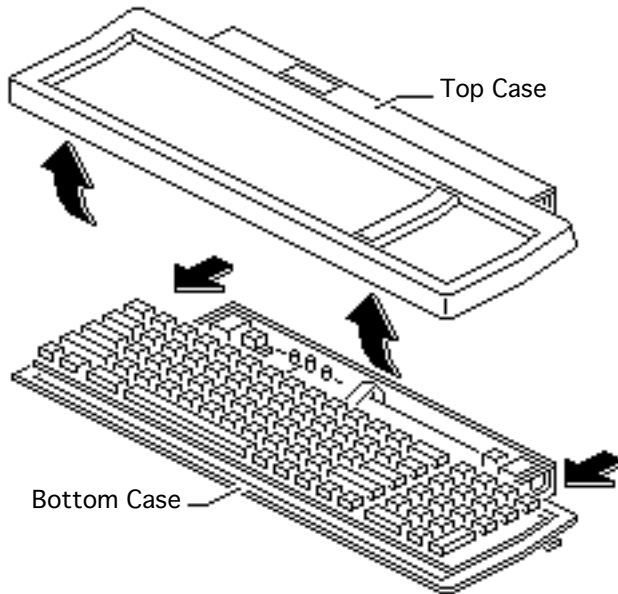




**Caution:** Review the ESD precautions in Bulletins/ Safety.

- 1 Disconnect the keyboard from the computer and disconnect the ADB cable and mouse from the keyboard.
- 2 Remove the three screws from the bottom of the keyboard.





- 3 Grasp the bottom and top of the case. Push in on the tabs and lift off the top cover.

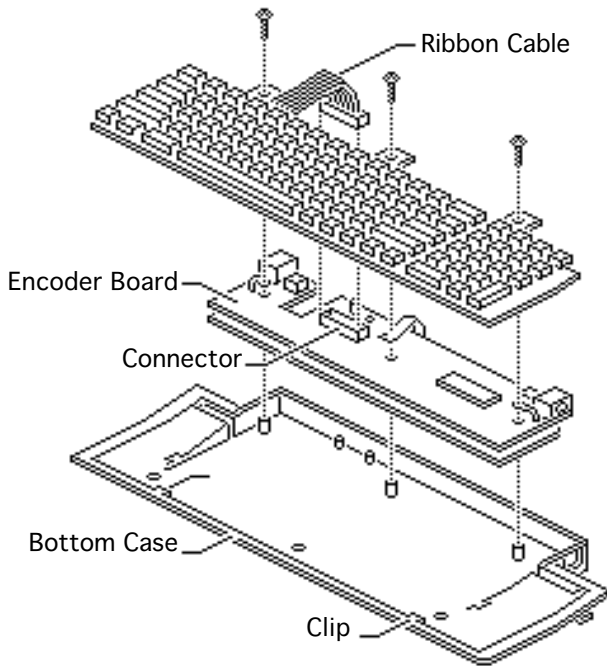




**Note:** There are two versions of the Apple Keyboard II, Version A and Version B; the parts are not interchangeable. To differentiate Version A from Version B, check the serial numbers on the bottom case. Version A serial numbers start with the letter “M”; Version B serial numbers start with the letter “S” or “T.”

This Take Apart topic contains separate procedures for each version of the keyboard.

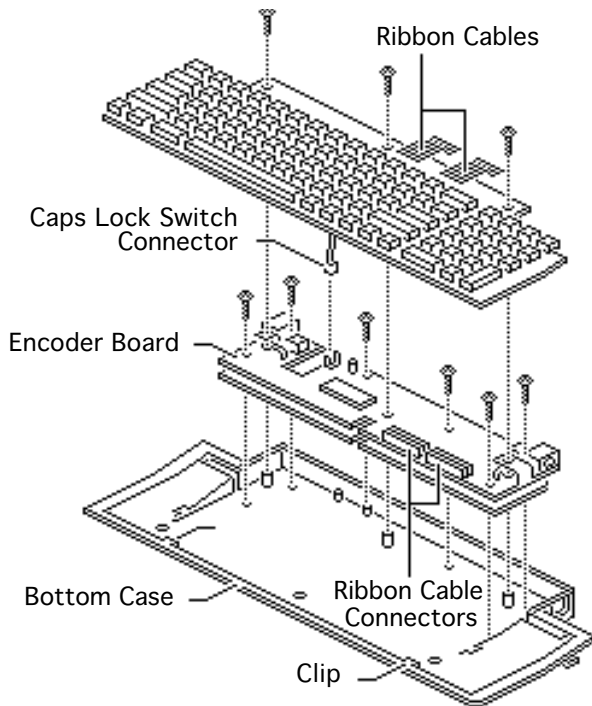




## Version A:

- 1 Remove the three screws that secure the keyboard to the encoder board.
- 2 Disconnect the ribbon cable from its connector.
- 3 Slide the keyboard out from under the clips in the bottom case and remove the keyboard.
- 4 Lift the encoder board out of the bottom case.

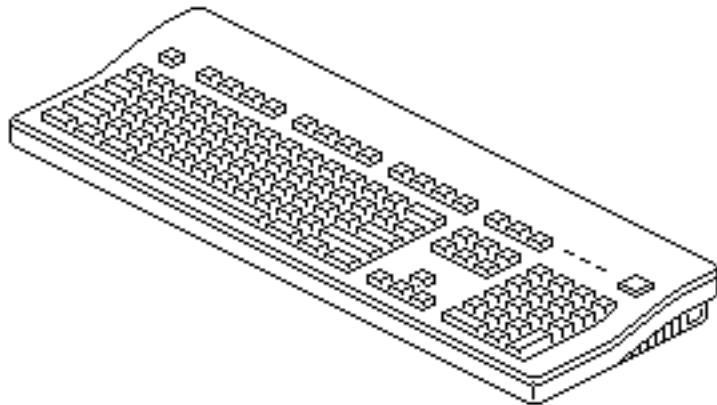




## Version B:

- 1 Remove the three screws that secure the keyboard to the encoder board.
- 2 Disconnect the two ribbon cables from their connectors.
- 3 Unplug the Caps Lock switch connector from the encoder board and remove the keyboard.
- 4 Remove the six screws with captive washers and lift the encoder board out of the case bottom.





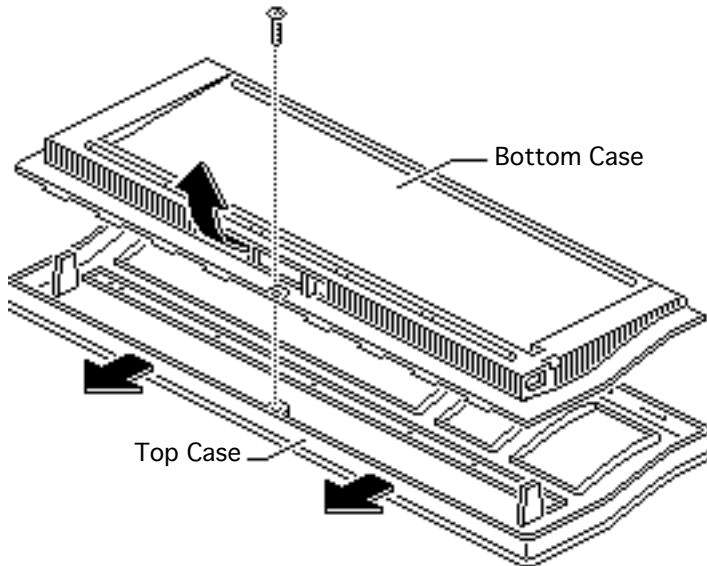
## Extended Keyboard II

No preliminary steps are required before you begin this procedure.

**Note:** If you are exchanging an Apple Extended Keyboard II, do not remove the keyboard mechanism; return the entire keyboard to Apple (without the cable).

**Note:** To remove and replace keyswitches, refer to “Keyswitch Replacement” in Additional Procedures.



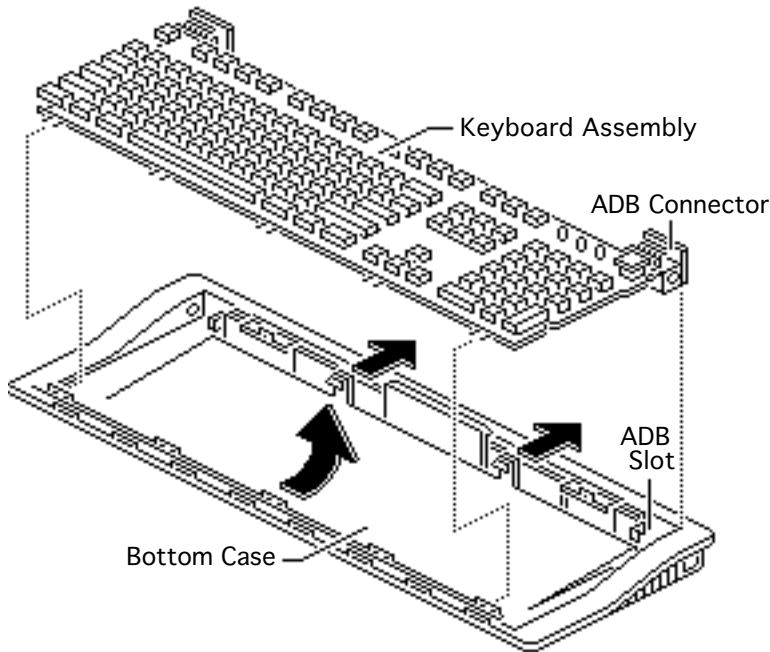


**Caution:** Review the ESD precautions in Bulletins/ Safety.

- 1 Disconnect the keyboard from the computer and disconnect the ADB cable and mouse from the keyboard.
- 2 Remove the screw from the bottom case.
- 3 Pull the rear edge of the top case up and away from the bottom case until the top case snaps loose.







- 4 Pivot the rear of the top case toward the front of the keyboard and detach the top case from the bottom case.
- 5 Lift the two ADB connectors from their slots.
- 6 Press back the two plastic latches and lift the keyboard assembly until it clears the latches.

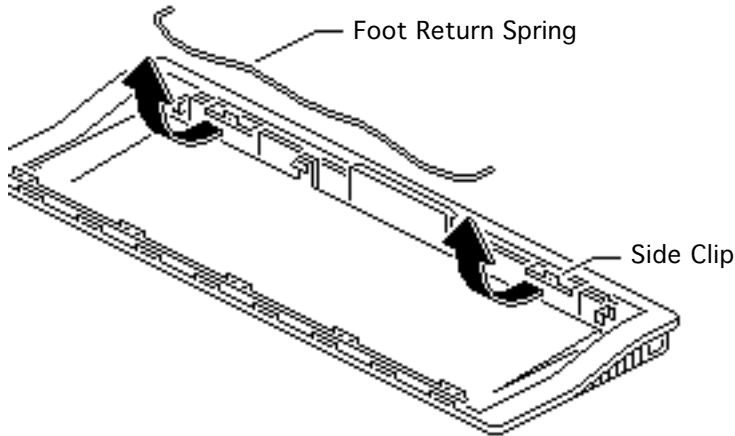




- 7 Pull the keyboard assembly toward the back of the bottom case to separate it from the front foot.

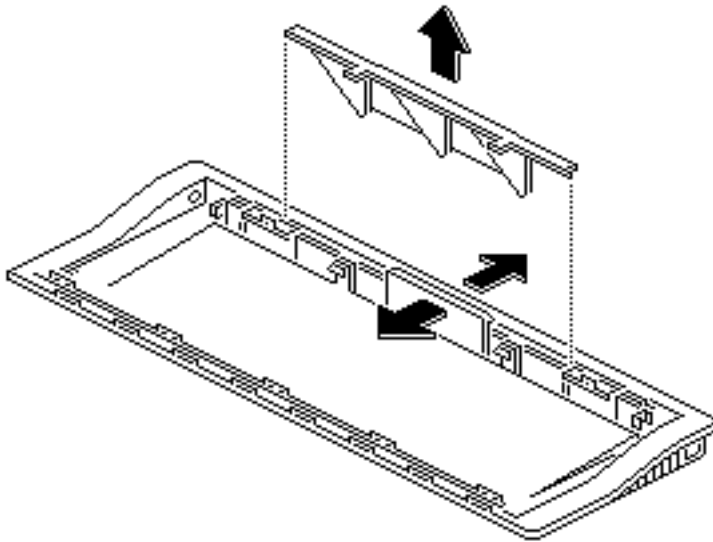
**Replacement Note:** Be sure the five tabs on the front edge of the keyboard assembly are in the holders in the bottom case.

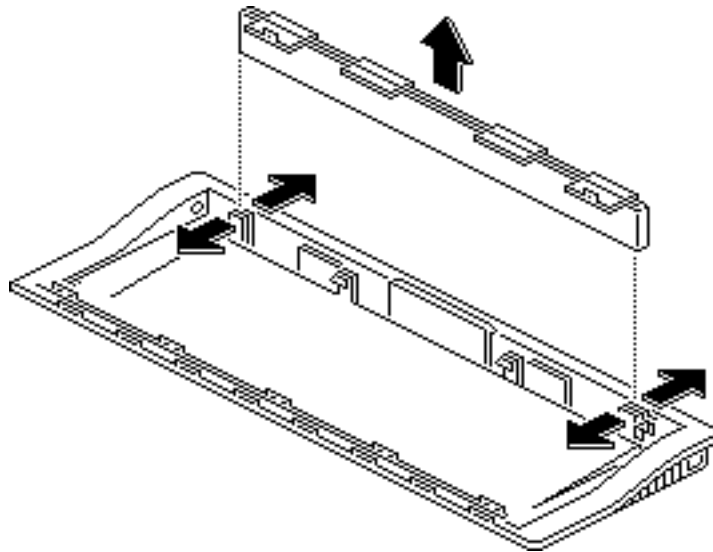
- 8 Slide the foot return spring out from the side clips.





- 9 Spread the plastic clips and pull the height adjustment lever up and out.





10 Spread the rear foot plastic clips and lift out the rear foot.

**Replacement Note:** The rear foot should be between the two side clips with the two guides a third of the way in from each side.





## AppleDesign Keyboard

No preliminary steps are required before you begin this procedure.

The AppleDesign Keyboard is repaired through whole-unit exchange. Refer to the Service Source parts database for part number and ordering information.





The AppleDesign Keyboard replaces the Apple Standard Keyboard II. It is similar in appearance to the Apple Extended Keyboard II, but it comes with the ADB cable attached.



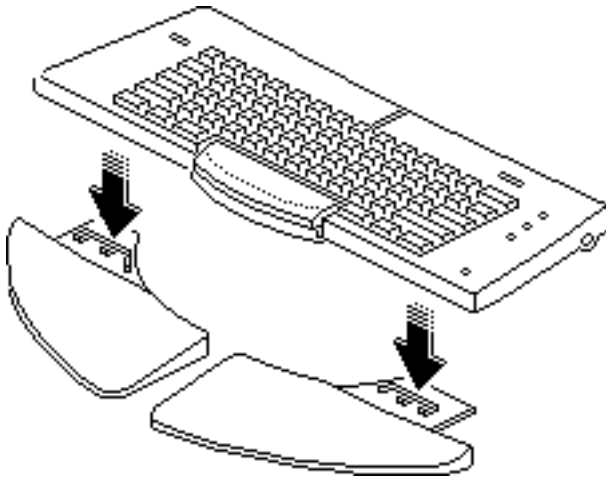


## Adjustable Keyboard

Before you begin, disconnect the keyboard.

**Note:** To remove and replace keycaps, refer to “Adjustable Keyboard Keycaps” in Additional Procedures.

Remove palm rests.



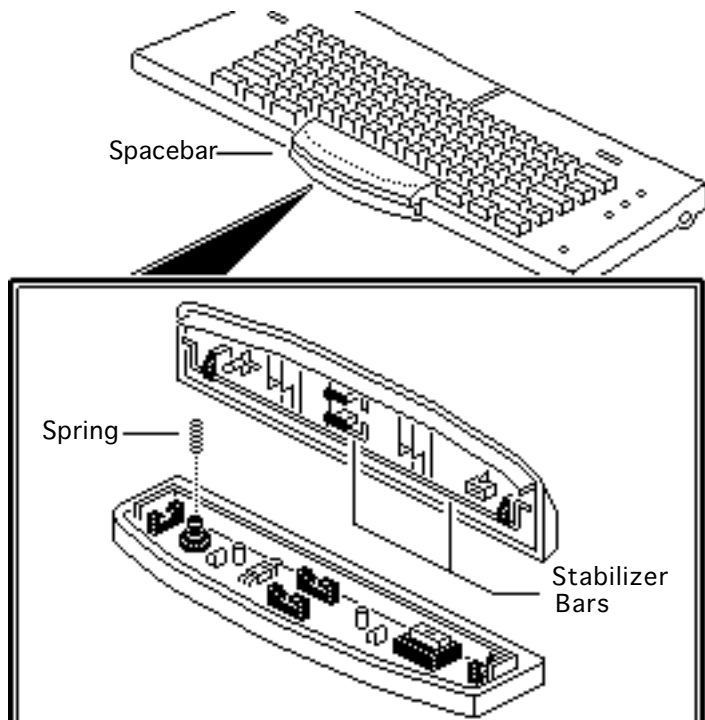


## Spacebar Assembly

Pry off the spacebar cap.

### Replacement Caution:

There are two stabilizer bars at right angles to each other and a loose spring in the spacebar. Take care to reset both stabilizer bars and the loose spring when you replace the spacebar cap.







## Additional Procedures

---

ADB Devices

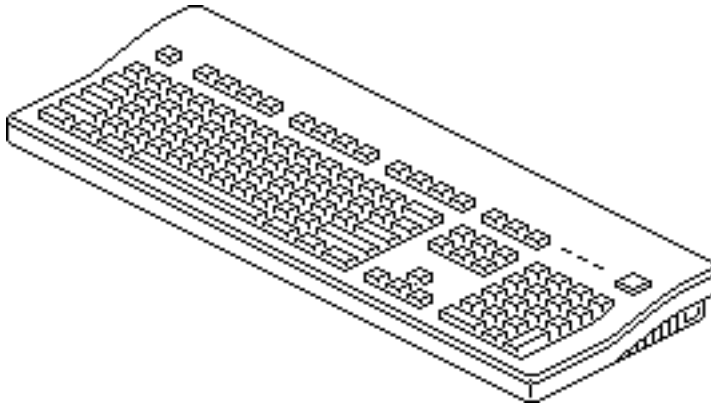


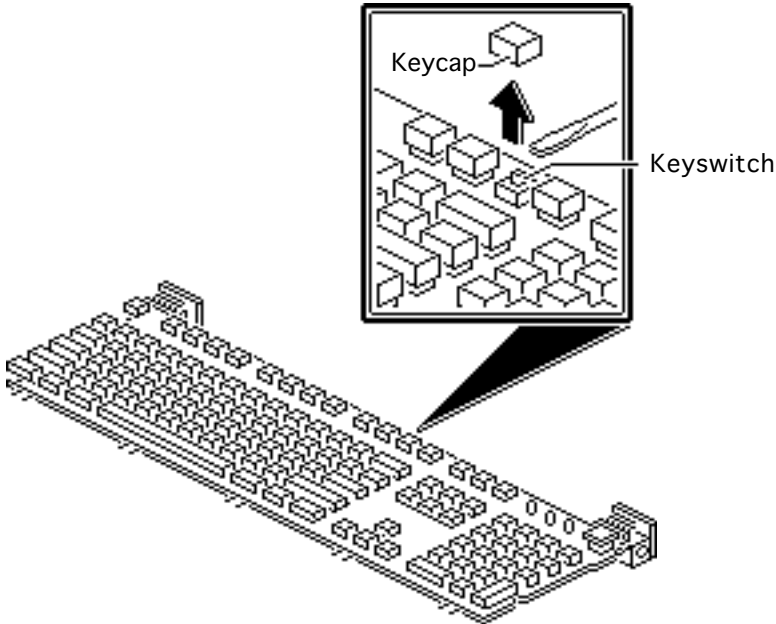


# Keyswitch Replacement

Before you begin, remove the keyboard mechanism.

**Caution:** Review the ESD precautions in Bulletins/ Safety.





- 1 Using a screwdriver, lift up on one of the four sides of the keycap and remove the keycap.
- 2 Apply fresh solder to the two keyswitch connections to prepare them for desoldering.
- 3 Desolder the contacts using a solder sucker. (If necessary, use needlenose pliers to wiggle the pins and free the keyswitch.)





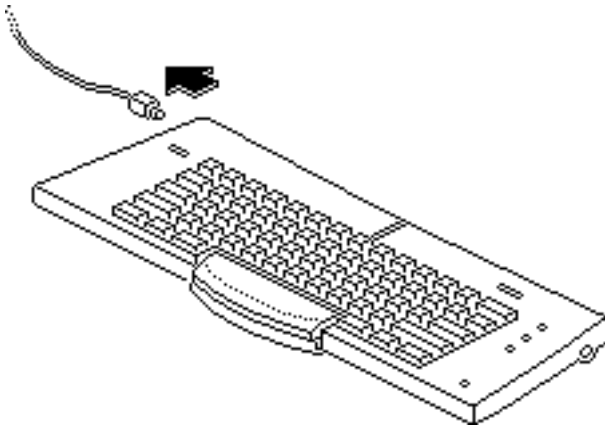
## Adjustable Key-board Keycaps

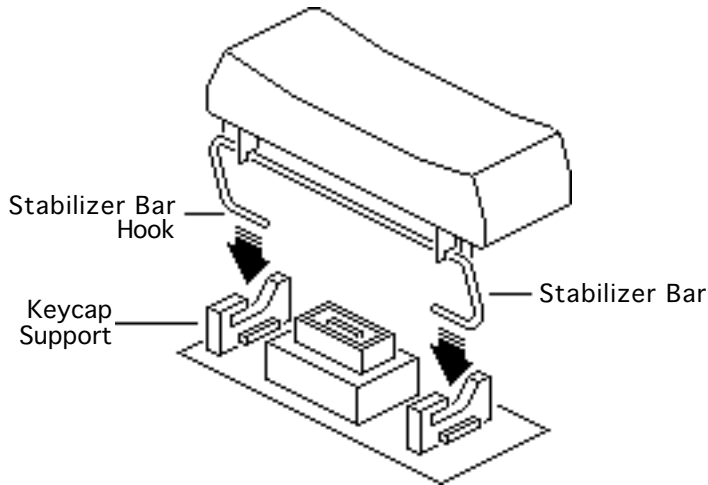
Before you begin,  
disconnect the keyboard.

**Caution:** Review the ESD precautions in Bulletins/ Safety.

**Note:** The keycaps on the Adjustable Keyboard are removable.

Pry off the keycaps





**Replacement Note:** The Spacebar, Delete, Return, Tab, Shift, Enter, and “0” keys use stabilizer bars to secure the keycaps.

To replace keycaps, snap the stabilizer bar into the back of the key. Slide the stabilizer bar hook into the keycap support. Press to reset the keycap.





Exploded View

---

ADB Devices



